

# LINE - VOLTAGE PENDANTS / SUSPENSION

## Fino Large Pendant

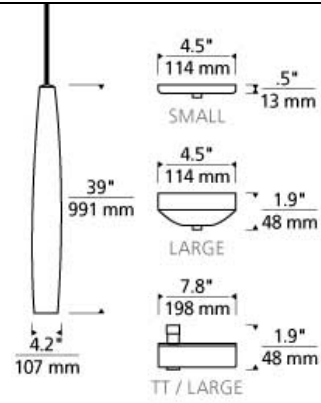


### DESCRIPTION

Dramatically tall and slender the Fino pendant by Tech Lighting features sleek metal detail that projects a modern, mid-century vibe. With two warm contemporary color options, Latte and White, the Fino adds style and sophistication to your special space. The compact fluorescent lamping inside of the Fino allows for the perfect amount of light illumination. Scaling at 39" long and 4.2" in diameter the Fino is ideal for dining room lighting, foyer lighting and hospitality lighting applications. Customize this pendant even more by pairing it with the T-Trak system by Tech Lighting. Black, satin nickel, and white finish options highlighted with a satin nickel detail and clear cable; antique bronze finish includes antique bronze detail and brown cable. Includes 2G11 base 36 watt twin tube compact fluorescent lamp (electronic ballast included). Fixture provided with twelve feet of field-cuttable cable. Not dimmable.



amber



### INSTALLATION

This product can mount to either a 4" square electrical box with round plaster ring or an octagon electrical box.

### OTHER

TD includes 4.5" Round Canopy.  
Antique Bronze and Black Finish Only Available on TD.  
CF277 Lamp Only Available on TD.

### WEIGHT

6-6.5lb / 2.72-2.95kg ±



latte



white

### ORDERING INFORMATION

700 SYSTEM	FINPL	COLOR	FINISH	LAMP
TD	LINE-VOLTAGE PENDANTS/SUSPENSION	L LATTE	Z ANTIQUE BRONZE	-CF COMPACT FLUORESCENT 120V
TT	SINGLE-CIRCUIT T-TRAK	W WHITE	B BLACK S SATIN NICKEL W WHITE	-CF277 COMPACT FLUORESCENT 277V

For use on Halo\*, Juno\* or Lightolier\* 120 volt single-circuit track, order as follows:

**Incandescent:** Order pendant as **700TD** and order appropriate [120V Track Adapter](#)

**Compact Fluorescent:** Substitute 700TD with one of the following: **700TH** (fits Halo\*), **700TJ** (fits Juno\*) or **700TI** (fits Lightolier\*) and by substituting the finish with one of the following: **BZ** (Black/Antique Bronze), **BS** (Black/Satin Nickel), **WZ** (White/Antique Bronze) or **WS** (White/Satin Nickel).

\*Tech Lighting is not affiliated, nor is it endorsed by any of the companies listed nor does Tech Lighting distribute any of their products.



700	___	FINPL	___	___	___
FIXTURE TYPE: _____					
JOB NAME: _____					
NOTES: _____					
_____					
_____					