

# FLUSH & SEMI-FLUSH MOUNT

## Finch Float Flush Mount Ceiling



### DESCRIPTION

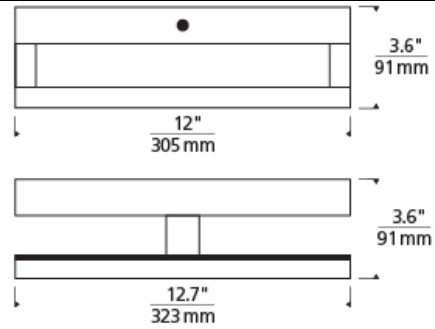
Clean lines and edge-lit LED light guide technology combine in this modern flush mount that "floats"™ just below the ceiling. Round includes 29 watt, 1230 net lumen, 3000K LED. Square includes 27 watt, 1450 net lumen, 3000K LED. Dimmable with low-voltage electronic dimmer.

### INSTALLATION

This product can mount to either a 4" square electrical box with round plaster ring or an octagonal electrical box (not included).

### WEIGHT

5.13lb / 2.33kg ±



antique bronze round

satin nickel round

antique bronze square

satin nickel square

### ORDERING INFORMATION

700FMFINF	SHAPE OR SIZE	FINISH	LAMP
R	ROUND	Z ANTIQUE BRONZE	-LED830 LED 3000K 80 CRI 120V
S	SQUARE	S SATIN NICKEL	-LED830-277 LED 3000K 80 CRI 277V

**TECH LIGHTING®**  
 7400 Linder Avenue T 847.410.4400  
 Skokie, Illinois 60077 F 847.410.4500  
**Tech Lighting, L.L.C.**

700FMFINF \_\_\_\_\_

FIXTURE TYPE: \_\_\_\_\_

JOB NAME: \_\_\_\_\_

NOTES: \_\_\_\_\_  
 \_\_\_\_\_  
 \_\_\_\_\_



©2017 Tech Lighting, L.L.C. All Rights Reserved. The "Tech Lighting" graphic is a registered trademark of Tech Lighting, L.L.C. Tech Lighting reserves the right to change specifications for product improvements without notification.