

WALL COLLECTION

Essex Wall

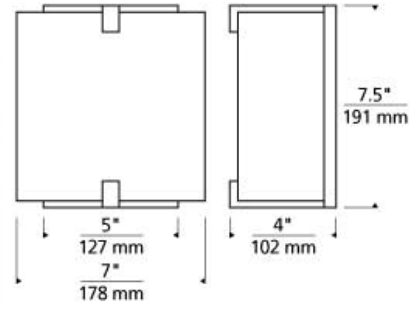


DESCRIPTION

The Essex wall sconce light by Tech Lighting is elegant and highly versatile featuring six different shade options that are adorned with minimal metal detail. Each choice of glass, shell or fabric shade is available in two unique styles or patterns and come in three different finish types. Mount this contemporary fixture in places such as hallways, bathrooms, kitchens and any place that needs a soft fill of light. The Essex wall sconce ships with your choice of LED or incandescent lamping saving you time and money, both options are fully dimmable to create the desired ambiance in your special space. Rated for (1) 60w max, G9 based lamp (Not Included). LED version includes 8 watt, 500 lumen, 2700K LED module. LED version dimmable with low-voltage electronic dimmer. ADA compliant.



glass ivory/brown/amber



INSTALLATION

This product can mount to either a 4" square electrical box with round plaster ring or an octagonal electrical box (not included). For wall mount use only.

WEIGHT

1.61lb / 0.73kg ±



fabric white fabric desert clay glass beach amber glass surf white shell natural shell white

ORDERING INFORMATION

700WSESX COLOR	FINISH	LAMP
FC FABRIC DESERT CLAY	Z ANTIQUE BRONZE	INCANDESCENT 120V
FW FABRIC WHITE	C CHROME	-LED LED 80 CRI 2700K 120V
GA GLASS BEACH AMBER	S SATIN NICKEL	-LED277 LED 80 CRI 2700K 277V
GW GLASS SURF WHITE		
PN SHELL NATURAL		
PW SHELL WHITE		



7400 Linder Avenue T 847.410.4400
 Skokie, Illinois 60077 F 847.410.4500

Tech Lighting, L.L.C.

700WSESX _____

FIXTURE TYPE: _____

JOB NAME: _____

NOTES: _____
