

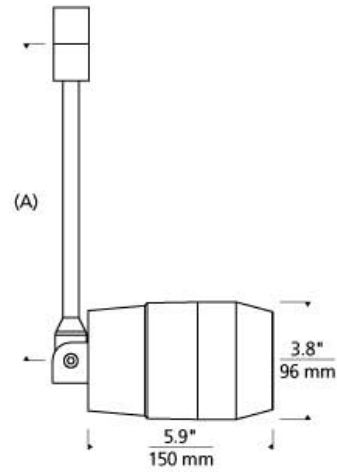
LINE - VOLTAGE HEADS

Envision LED Head



DESCRIPTION

The Envision display head by Tech Lighting combines design simplicity with practical technology. This simple display head puts light where you need it the most by allowing for a full 360° head rotation and 90° pivot to direct light beam to the desired location. The Envision is constructed by die cast aluminum and features a horizontal locking mechanisms. The front air intake design allows for airflow past the internal heat sink fins to rear exit vents keeping the fixture cool. The Envision is ideal for commercial lighting applications such as retail stores, libraries and galleries. Features horizontal locking mechanisms. LED module and optics are modular for ease of replacement. Front air intake design allows airflow past internal heat sink fins to rear exit vents while conserving a clean, thoughtful and seamless form. 18 watt isolated power supply sits within head to avoid further visual impact on track; dimmable digital logic controller operated in constant current mode. Field-replaceable proprietary 18 watt LED module. Three interchangeable optics: 15°, 25° and 40°. Holds up to two PAR16/MR16 lenses or louvers, sold separately.



OTHER

- Output: 1074+ net lumens of optic/driver
- Power Consumption: 18 watts
- Efficacy: 47 net lumens/watt
- Color Temperature: 2700K, 3000K and 3500K
- CRI: 86
- Center Beam Candle Power:
 - 15°: 5300 CBCP
 - 25°: 4012 CBCP
 - 40°: 2308 CBCP
- Life: 50,000 hours to 70%
- No UV Rays
- Dimmable to 10%
- Minimum Waste: heat sink stays with fixture at end of LED module life
- No mercury and ROHS compliant
- 5-year Warranty

WEIGHT

3.79lb / 1.72kg ±



envision led head satin nickel envision led head white

ORDERING INFORMATION

700 SYSTEM	ENVL	COLOR TEMP	BEAM SPREAD	LENGTH (A)	FINISH
PJ POWERJACK	L2 LED 2700K	1 15°	06 6"	S SATIN NICKEL	
TT SINGLE-CIRCUIT T-TRAK	L3 LED 3000K	2 25°	12 12"	W WHITE	
	L5 LED 3500K	4 40°	18 18"		

To order this head for use with Halo*, Juno*, or Lightolier* 120 volt single-circuit track, order as follows:

Substitute **700TT** with one of the following: **700TH** (fits Halo*), **700TJ** (fits Juno*) or **700TI** (fits Lightolier*) and by substituting the finish with one of the following: **BS** (Black/Satin Nickel), **BW** (Black/White), **WS** (White/Satin Nickel) or **WW** (White/White).

*Tech Lighting is not affiliated, nor is it endorsed by any of the companies listed nor does Tech Lighting distribute any of their products.

TECH LIGHTING®
 7400 Linder Avenue T 847.410.4400
 Skokie, Illinois 60077 F 847.410.4500

Tech Lighting, L.L.C.

700

FIXTURE:

TYPE:

JOB NAME:

NOTES: