

The Elpha outdoor wall sconce features artfully sturdy lines in a contemporary geometric design. A powerful integrated LED light source shines smoothly down the open triangular design providing ample yet appropriate amounts of light into any exterior space.

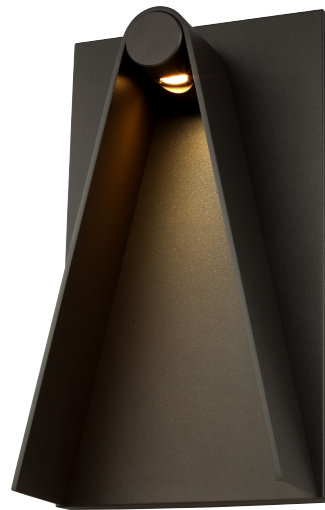
Outstanding protection against the elements:

- Marine-grade powder coat finishes
- Stainless Steel mounting hardware
- Impact-resistant, UV stabilized frosted acrylic lensing

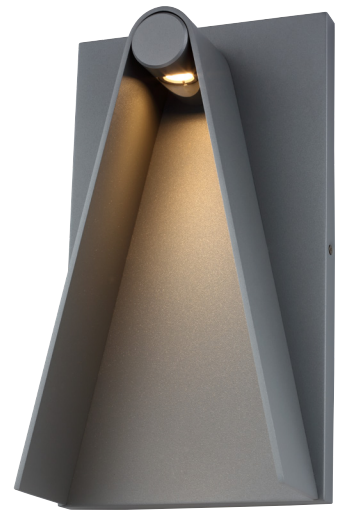
SPECIFICATIONS

DELIVERED LUMENS	367
WATTS	11.5
VOLTAGE	120V, 277V
DIMMING	ELV
LIGHT DISTRIBUTION	Symmetric
OPTICS	300
MOUNTING OPTIONS	Wall
CCT	3000K
CRI	90
COLOR BINNING	3-Step
BUG RATING	B0-U1-G0
DARK SKY	Compliant
WET LISTED	IP65
GENERAL LISTING	ETL, ADA
CALIFORNIA TITLE 24	Can be used to comply with CEC 2016 Title 24 Part 6 for outdoor use. Registration with CEC Appliance Database not required.
START TEMP	-30°C
FIELD SERVICEABLE LED	Yes
CONSTRUCTION	Aluminum
HARDWARE	Stainless Steel
FINISH	Marine Grade Powder Coat
LED LIFETIME	L70; 70,000 hours
WARRANTY*	5 years
WEIGHT	4 lbs.

* Visit techlighting.com for specific warranty limitations and details.



ELPHA 14
shown in bronze

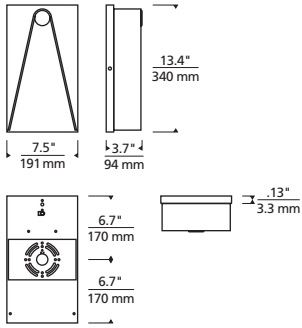


ELPHA 14
shown in bronze

ORDERING INFORMATION

7000WEPA	SIZE	FINISH	LAMP
14	14"	Z BRONZE	LED930 LED 90CRI, 3000K, 120V
		H CHARCOAL	LED930-277 LED 90CRI, 3000K, 277V

ELPHA 14 WALL SCNCE



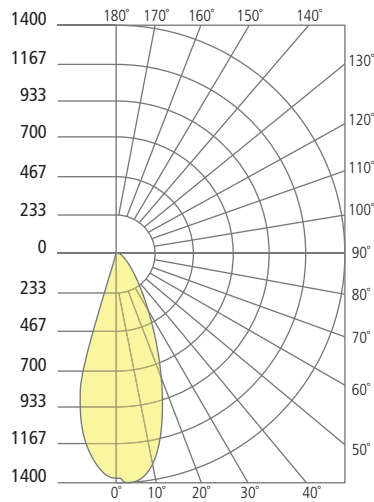
Elpha 14

PHOTOMETRICS*

*For latest photometrics, please visit www.techlighting.com/OUTDOOR

ELPHA 14

Total Lumen Output: 367
 Total Power: 11.5
 Luminaire Efficacy: 32
 Color Temp: 3000K
 CRI: 90
 BUG Rating: BO-U1-G0



PROJECT INFO

FIXTURE TYPE & QUANTITY

JOB NAME & INFO

NOTES



© 2018 Tech Lighting, L.L.C. All rights reserved. The "Tech Lighting" graphic is a registered trademark of Tech Lighting, L.L.C. Tech Lighting reserves the right to change specifications for product improvements without notification.



GENERATION BRANDS
 7400 Linder Avenue, Skokie, Illinois 60077
 T 847.410.4400 F 847.410.4500