

LINE - VOLTAGE PENDANTS / SUSPENSION

Echo Pendant



DESCRIPTION

The Echo pendant light by Tech Lighting is a timeless contemporary glass cylinder pendant. The modern silhouette of this pendant surrounds an inner white glass cylinder to echo with a pop of color while softly diffusing the light within. With five available on trend color options and high quality metal finishes the Mini Echo creates an exciting yet sophisticated look and feel to any space. This mid-sized Echo scales at 9" in diameter and 5" in width this pendant is ideal for home office lighting, bath lighting flanking a vanity or even bedroom lighting flanking bedside tables. The Echo is fully dimmable allowing you the ability to customize the light tones to your desired ambiance. Rated for (1) 60 watt, E11 mini candelabra (Lamp Not Included). Fixture is provided with six feet of field-cutable cable. Incandescent version dimmable with standard incandescent dimmer. LED version dimmable with LED compatible dimmer.

INSTALLATION

This product can mount to either a 4" square electrical box with round plaster ring or an octagon electrical box.

OTHER

TD includes 4.5" Round Canopy.
Antique Bronze and Black Finish Only Available on TD.

LED version Only Available on Large.

ACCESSORIES & OPTICAL CONTROLS

Line-voltage Swag Hook

WEIGHT

1.3lb / 0.59kg ±



amber



aquamarine



clear

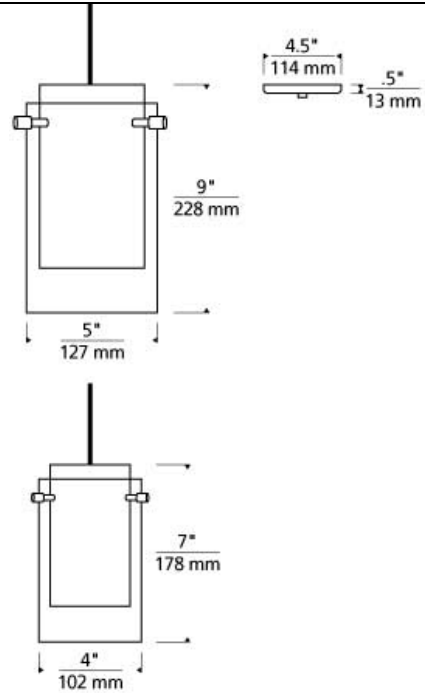


smoke



steel blue

steel blue



ORDERING INFORMATION

700	SYSTEM	ECP	SHAPE OR SIZE	COLOR	FINISH	LAMP
TD	LINE-VOLTAGE PENDANTS/SUSPENSION		LARGE	A AMBER	Z ANTIQUE BRONZE	NO LAMP
TT	SINGLE-CIRCUIT T-TRAK		SMALL	Q AQUAMARINE	B BLACK	-LED927 A19 LED 90 CRI 2700K 120V (T20/T24)
				C CLEAR	S SATIN NICKEL	
				S SMOKE	W WHITE	
				U STEEL BLUE		

For use on Halo*, Juno* or Lightolier* 120 volt single-circuit track, order as follows:

Incandescent: Order pendant as **700TD** and order appropriate [120V Track Adapter](#)

Compact Fluorescent: Substitute 700TD with one of the following: **700TH** (fits Halo*), **700TJ** (fits Juno*) or **700TI** (fits Lightolier*) and by substituting the finish with one of the following: **BZ** (Black/Antique Bronze), **BS** (Black/Satin Nickel), **WZ** (White/Antique Bronze) or **WS** (White/Satin Nickel).

*Tech Lighting is not affiliated, nor is it endorsed by any of the companies listed nor does Tech Lighting distribute any of their products.



700 ____ ECP _____

FIXTURE TYPE: _____

JOB NAME: _____

NOTES: _____
