

# LINE - VOLTAGE PENDANTS / SUSPENSION

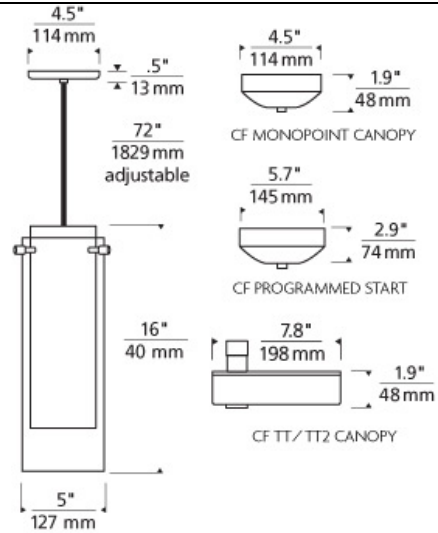
## Echo Grande Pendant

### DESCRIPTION

The Echo Grande pendant light by Tech Lighting is a timeless contemporary glass cylinder pendant. The modern silhouette of this pendant surrounds an inner white glass cylinder to provide a pop of color while softly diffusing the light within. With five available on trend color options and high quality metal finishes the Echo creates an exciting yet sophisticated look and feel to any space. Scaling at 16" in diameter and 5" in width the Echo Grande is ideal for Dining room lighting, kitchen island task lighting or even hallway lighting. The Echo Grande is available in a fully dimmable energy efficient LED lamp option allowing you the ability to customize the light tones to your desired ambiance. Rated for (1) 75 watt, E26 medium base lamp (Lamp Not Included). LED includes 120 volt 9.5 watt, 800 delivered lumen, 2700K, medium base LED A19 lamp. Fixture is provided with six feet of field-cuttable cable. Incandescent version dimmable with standard incandescent dimmer. LED version dimmable with LED compatible dimmer.



amber



### INSTALLATION

This product can mount to either a 4" square electrical box with round plaster ring or an octagon electrical box.

### OTHER

TD includes 4.5" Round Canopy.  
Antique Bronze and Black Finish Only Available on TD.



amber



aquamarine



clear



smoke



steel blue

### ORDERING INFORMATION

700 SYSTEM	ECGP	COLOR	FINISH	LAMP
TD	LINE-VOLTAGE PENDANTS/SUSPENSION	A AMBER	Z ANTIQUE BRONZE	NO
TT	SINGLE-CIRCUIT T-TRAK	Q AQUAMARINE	B BLACK	-LED927 A19 LED 90 CRI 2700K 120V (T20/T24)
		C CLEAR	S SATIN NICKEL	
		K SMOKE	W WHITE	
		U STEEL BLUE		

For use on Halo\*, Juno\* or Lightolier\* 120 volt single-circuit track, order as follows:

**Incandescent:** Order pendant as **700TD** and order appropriate [120V Track Adapter](#)

**Compact Fluorescent:** Substitute 700TD with one of the following: **700TH** (fits Halo\*), **700TJ** (fits Juno\*) or **700TI** (fits Lightolier\*) and by substituting the finish with one of the following: **BZ** (Black/Antique Bronze), **BS** (Black/Satin Nickel), **WZ** (White/Antique Bronze) or **WS** (White/Satin Nickel).

\*Tech Lighting is not affiliated, nor is it endorsed by any of the companies listed nor does Tech Lighting distribute any of their products.



700 \_\_\_\_ ECGP \_\_\_\_

FIXTURE TYPE: \_\_\_\_\_

JOB NAME: \_\_\_\_\_

NOTES: \_\_\_\_\_

\_\_\_\_\_

\_\_\_\_\_