

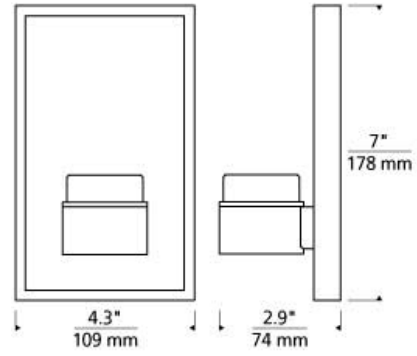
WALL COLLECTION

Dobson Wall



DESCRIPTION

The Dobson Wall light from Tech Lighting is the perfect marriage between rustic and refined. The cylindrical metal shade is treated with a special coating to replicate the warmth and texture of real woods and then finished with a sophisticated satin nickel trim. The beautiful treatment on this pendant is further enhanced by three contemporary finishes, brown chestnut, weathered gray oak or white ash. The modest scale and powerful upward firing LED make the Dobson wall great for bedroom lighting, foyer lighting, and hallway lighting spaces. Your choice of LED lamping ships with the Dobson making this pendant highly customizable. Includes 9 watt, 192 delivered lumen, 2700K LED module. Dimmable with low-voltage electronic dimmer. May be mounted up or down. ADA compliant.



INSTALLATION

This product can mount to either a 4" square electrical box with round plaster ring or an octagonal electrical box (not included).

WEIGHT

2-2.5lb / 0.91-1.13kg ±



brown chestnut weathered gray oak white ash

ORDERING INFORMATION

700WSDBS COLOR	FINISH	LAMP
N BROWN CHESTNUT	S SATIN NICKEL	-LED927 LED 90 CRI 2700K 120V
Y WEATHERED GRAY OAK		-LED927-277 LED 90 CRI 2700K 277V
A WHITE ASH		



TECH LIGHTING®
 7400 Linder Avenue T 847.410.4400
 Skokie, Illinois 60077 F 847.410.4500

Tech Lighting, L.L.C.

700WSDBS _____

FIXTURE TYPE: _____

JOB NAME: _____

NOTES: _____
