

LINEAR SUSPENSION

Dobson Linear Suspension



DESCRIPTION

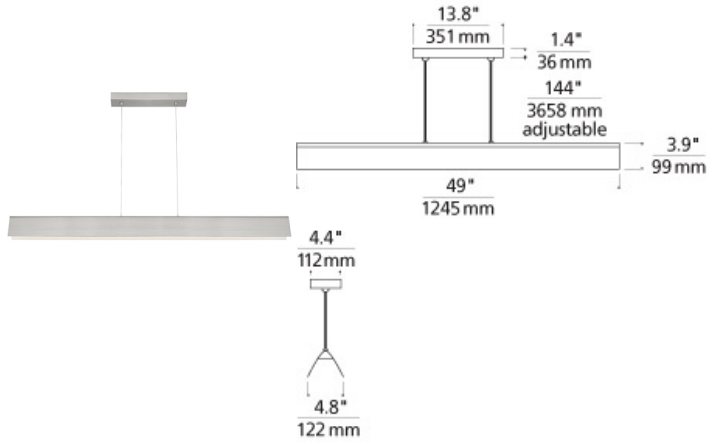
The angular, metal shade housing of the Dobson linear suspension light from Tech Lighting is treated with a special coating to replicate the warm look and texture of real woods including oak, ash or chestnut, then finished with satin nickel endcaps for a highly sophisticated touch. Also available in satin nickel or white. Includes 23 watt, 1200 delivered lumen, 3000K LED module. Ships with twelve feed of field-cutttable cable. Dimmable with low-voltage electronic dimmer.

INSTALLATION

This product can mount to either a 4" square electrical box with round plaster ring or an octagonal electrical box (not included).

WEIGHT

7.8lb / 3.54kg ±



brown chestnut satin nickel white white ash weathered gray oak

ORDERING INFORMATION

700LSDBS FINISH

- N BROWN CHESTNUT
- S SATIN NICKEL
- Y WEATHERED GRAY OAK
- W WHITE
- A WHITE ASH

LAMP

- LED930 LED 90 CRI 3000K 120V
- LED930-277 LED 90 CRI 3000K 277V



700LSDBS _____
FIXTURE TYPE: _____
JOB NAME: _____
NOTES: _____

