

# LINE - VOLTAGE PENDANTS / SUSPENSION

## Dillon Pendant



### DESCRIPTION

Translucent organza drum with inner glass cylinder to provide a soft wash of light. Incandescent includes 75 watt, medium base A19 lamp. LED includes 9.5 watt, 800 delivered lumen, 2700K, medium base LED A19 lamp. Fixture provided with six feet of field-cuttable cable. Incandescent version dimmable with standard incandescent dimmer. LED version dimmable with LED compatible dimmer.

### INSTALLATION

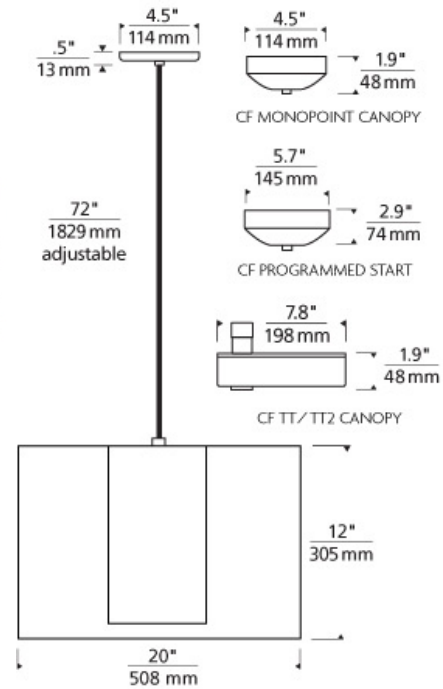
This product can mount to either a 4" square electrical box with round plaster ring or an octagon electrical box.

### OTHER

TD includes 4.5" Round Canopy.  
Antique Bronze and Black Finish Only Available on TD.



brown



brown

white

### ORDERING INFORMATION

700 SYSTEM	DLNPW	COLOR	FINISH	LAMP
TD	LINE-VOLTAGE PENDANTS/SUSPENSION	N BROWN	Z ANTIQUE BRONZE	INCANDESCENT 120V
TT	SINGLE-CIRCUIT T-TRAK	W WHITE	B BLACK S SATIN NICKEL W WHITE	-LED927 A19 LED 90 CRI 2700K 120V

For use on Halo\*, Juno\* or Lightolier\* 120 volt single-circuit track, order as follows:

**Incandescent:** Order pendant as **700TD** and order appropriate [120V Track Adapter](#)

**Compact Fluorescent:** Substitute 700TD with one of the following: **700TH** (fits Halo\*), **700TJ** (fits Juno\*) or **700TI** (fits Lightolier\*) and by substituting the finish with one of the following: **BZ** (Black/Antique Bronze), **BS** (Black/Satin Nickel), **WZ** (White/Antique Bronze) or **WS** (White/Satin Nickel).

\*Tech Lighting is not affiliated, nor is it endorsed by any of the companies listed nor does Tech Lighting distribute any of their products.



**TECH LIGHTING®**  
7400 Linder Avenue T 847.410.4400  
Skokie, Illinois 60077 F 847.410.4500  
**Tech Lighting, L.L.C.**

700 \_\_\_\_ DLNPW \_\_\_\_

FIXTURE TYPE: \_\_\_\_\_

JOB NAME: \_\_\_\_\_

NOTES: \_\_\_\_\_

\_\_\_\_\_

\_\_\_\_\_