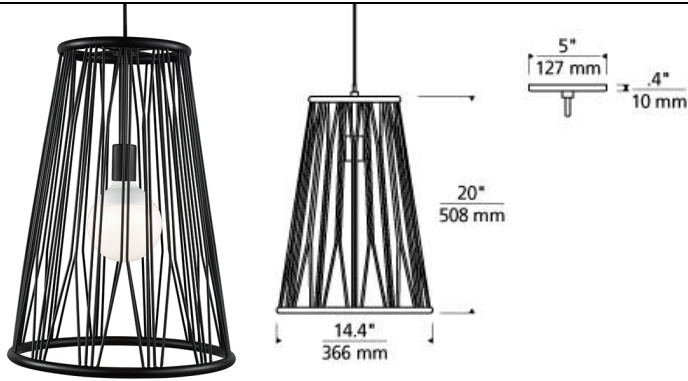


Diamant Pendant LED T20

DESCRIPTION

The Diamant Pendant light by Tech Lighting features fascinating lines that have been shaped into an artful design. Light spills through the caged shade creating a fascinating lighting experience in any space. This unique pendant scales at 14.4" in length and 14.4" in width making it ideal for kitchen island task lighting, dining room lighting and bedroom lighting flanking two end tables. The Diamant comes in two on-trend finish options, Matte Black and Satin Gold, both color options further enhance this captivating fixture. Also included in the Diamant family is the Diamant Grande, simply search for Diamant Pendant to find its closest relatives. Available lamping options include energy efficient LED and no lamp. All lamping options, with the exception of no-lamp, are fully-dimmable to create the desired ambiance in your special space. Includes 10' of field-cutable cable. Available with or without lamp. E26 medium base socket 60w max. LED version includes (1) 12 watt 950 delivered lumens 80CRI 3000K LED G40. Dimmable with a low-voltage electronic dimmer. 120v.



WEIGHT

8-8.5lb / 3.63-3.86kg ±



matte black



satin gold



matte black



satin gold

ORDERING INFORMATION

700 SYSTEM DMT

FINISH

LAMP

TD LINE-VOLTAGE PENDANTS/SUSPENSION

B MATTE BLACK
G SATIN GOLD

NO LAMP
-LED830 G40 LED 80 CRI 3000K 120V



TECH LIGHTING®

7400 Linder Avenue
Skokie, Illinois 60077

T 847.410.4400
F 847.410.4500

Tech Lighting, L.L.C.

700 ____ DMT ____ ____

FIXTURE TYPE: _____

JOB NAME: _____

NOTES: _____



©2019 Tech Lighting, L.L.C. All Rights Reserved. The "Tech Lighting" graphic is a registered trademark of Tech Lighting, L.L.C. Tech Lighting reserves the right to change specifications for product improvements without notification.