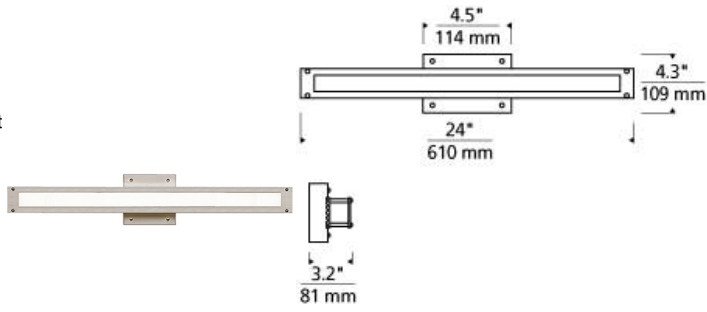


# Denton 24 Bath

LED ADA T20

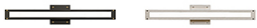
## DESCRIPTION

The Denton bath light from Tech Lighting was inspired by the structural steel beams of bustling post-war factories and features crisp lines that are softened by decorative rivets. Light is beautifully diffused in three directions for excellent light output providing a pleasant experience in any bathroom. The Denton wall is available in two contemporary finishes and can be mounted horizontally as well as vertically helping you achieve your exact lighting design. Also available in the Denton collection is Denton 48, simply search Denton Bath 24 to find its closest complementary relatives. Available lamping options include energy efficient integrated LED, all lamping options are fully-dimmable to create the desired ambiance in your special space. Mounts vertically or horizontally. Includes (1) 20 watt 1400 lumen 80 CRI 3000K LED module. ADA compliant. Dimmable with a low-voltage electronic dimmer. 120v or 277v.



## WEIGHT

4-4.5lb / 1.81-2.04kg ±



bronze

satin nickel

## ORDERING INFORMATION

700BCDEN	LENGTH (A)	FINISH	LAMP
24	24"	Z ANTIQUE BRONZE S SATIN NICKEL	-LED LED 80 CRI 3000K 120V -LED277 LED 80 CRI 3000K 277V



700BC DEN \_\_\_\_\_

FIXTURE TYPE: \_\_\_\_\_

JOB NAME: \_\_\_\_\_

NOTES: \_\_\_\_\_

\_\_\_\_\_

\_\_\_\_\_



©2019 Tech Lighting, L.L.C. All Rights Reserved. The "Tech Lighting" graphic is a registered trademark of Tech Lighting, L.L.C. Tech Lighting reserves the right to change specifications for product improvements without notification.