

WALL COLLECTION

Clifton Wall

DESCRIPTION

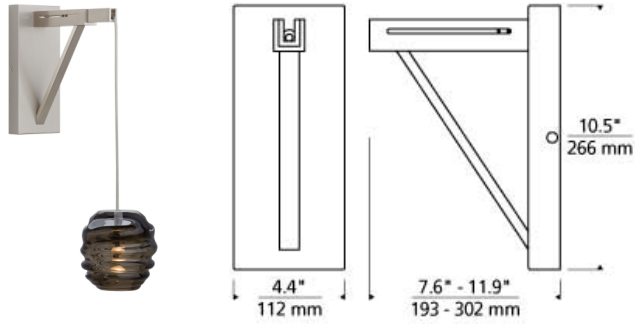
Transform virtually any Tech Lighting line-voltage pendant into a wall sconce. The integrated telescoping arm features a structural crossbar to support larger pendants up to 20 pounds and 20" in diameter. Compatible with Line-Voltage Pendants that use Incandescent, Halogen, GU24 Compact Fluorescent and 4-Pin Compact Fluorescent Lamps. When using 4-Pin Compact Fluorescent Lamps, use the ballast that is included with the Pendant. Can mount to either a 4" square electrical box with round plaster ring or an octagonal electrical box (not included).

INSTALLATION

This product can mount to either a 4" square electrical box with round plaster ring or an octagonal electrical box (not included).

WEIGHT

1.311lb / 0.59kg ±



antique bronze shown with beacon pendant



antique bronze shown with manette pendant



satin nickel shown with audra pendant



satin nickel shown with cleo pendant



satin nickel shown with soco pendant



satin nickel extension closed



satin nickel extension partially extended



satin nickel extension fully extended

ORDERING INFORMATION

700WSCFT FINISH

- Z ANTIQUE BRONZE
- S SATIN NICKEL

LAMP

INCANDESCENT/HALOGEN 120V



TECH LIGHTING®

7400 Linder Avenue
Skokie, Illinois 60077

T 847.410.4400
F 847.410.4500

Tech Lighting, L.L.C.

700WSCFT _____

FIXTURE TYPE: _____

JOB NAME: _____

NOTES: _____



©2018 Tech Lighting, L.L.C. All Rights Reserved. The "Tech Lighting" graphic is a registered trademark of Tech Lighting, L.L.C. Tech Lighting reserves the right to change specifications for product improvements without notification.