

# LOW - VOLTAGE HEADS

## Cam Head

### DESCRIPTION

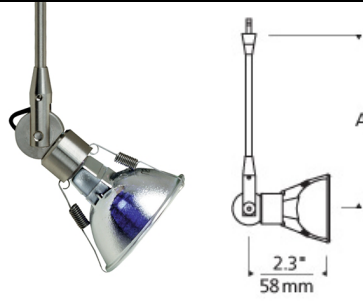
Clean-lined head rotates 360° around stem; pivots 90°. Low-voltage, MR16 lamp of up to 75 watts (not included).

### INSTALLATION

Socket terminates with FreeJack male connector, which may be installed into a system connector. Elements ordered with a system prefix include a connector for that system. For use on T-TRAK, order FreeJack version and T-TRAK FreeJack Connector (sold separately).

### WEIGHT

0.26-0.86lb / 0.12-0.39kg ±



cam head

### ORDERING INFORMATION

700 SYSTEM	CAM	LENGTH (A)	FINISH
FJ	FREEJACK	02 2"	C CHROME
MP	MONOPOINT	06 6"	S SATIN NICKEL
MO	MONORAIL	12 12"	
MO2	TWO-CIRCUIT MONORAIL		
WMO	WALL MONORAIL		

Note: MP includes 4" Round Flush Canopy.



**TECH LIGHTING®**  
 7400 Linder Avenue      T 847.410.4400  
 Skokie, Illinois 60077      F 847.410.4500

**Tech Lighting, L.L.C.**

700 \_\_\_\_ CAM \_\_\_\_ \_\_\_\_

FIXTURE TYPE: \_\_\_\_\_

JOB NAME: \_\_\_\_\_

NOTES: \_\_\_\_\_

\_\_\_\_\_

\_\_\_\_\_



©2017 Tech Lighting, L.L.C. All Rights Reserved. The "Tech Lighting" graphic is a registered trademark of Tech Lighting, L.L.C. Tech Lighting reserves the right to change specifications for product improvements without notification.