

LINE - VOLTAGE PENDANTS / SUSPENSION

Cabo Grande Pendant

DESCRIPTION

Onyx cylinder provides a warm textured look. Finished with minimal top detail and suspended from a round canopy. Black, satin nickel, and white canopy options include satin nickel top detail and clear cable; antique bronze includes antique bronze detail and brown cable. Includes 120 volt 75w or equivalent A19 medium base lamp or GX24Q-3 base 32w triple tube compact fluorescent lamp (electronic ballast included). Fixture is provided with six feet of field-cutable cable. Incandescent version dimmable with standard incandescent dimmer.

INSTALLATION

This product can mount to either a 4" square electrical box with round plaster ring or an octagon electrical box.

OTHER

TD includes 4.5" Round Canopy.
Antique Bronze and Black Finish Only Available on TD.
CF277 Lamp Only Available on TD.

ACCESSORIES & OPTICAL CONTROLS

Line-voltage Swag Hook

WEIGHT

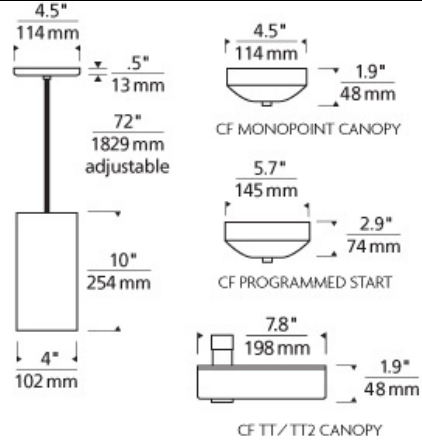
5lb / 2.27kg ±



onyx



onyx



ORDERING INFORMATION

700 SYSTEM	CBOGP	COLOR	FINISH	LAMP
TD	LINE-VOLTAGE PENDANTS/SUSPENSION	H ONYX	Z ANTIQUE BRONZE	INCANDESCENT 120V
TT	SINGLE-CIRCUIT T-TRAK		B BLACK	-CF COMPACT FLUORESCENT 120V
TT2	TWO-CIRCUIT T-TRAK		S SATIN NICKEL	-CF277 COMPACT FLUORESCENT 277V
			W WHITE	-PSUNV COMPACT FLUORESCENT PROGRAMMED START 120V-277V

For use on Halo*, Juno* or Lightolier* 120 volt single-circuit track, order as follows:

Incandescent: Order pendant as **700TD** and order appropriate [120V Track Adapter](#)

Compact Fluorescent: Substitute 700TD with one of the following: **700TH** (fits Halo*), **700TJ** (fits Juno*) or **700TI** (fits Lightolier*) and by substituting the finish with one of the following: **BZ** (Black/Antique Bronze), **BS** (Black/Satin Nickel), **WZ** (White/Antique Bronze) or **WS** (White/Satin Nickel).

*Tech Lighting is not affiliated, nor is it endorsed by any of the companies listed nor does Tech Lighting distribute any of their products.



700 ____ CBOGP ____

FIXTURE TYPE: _____

JOB NAME: _____

NOTES: _____



©2017 Tech Lighting, L.L.C. All Rights Reserved. The "Tech Lighting" graphic is a registered trademark of Tech Lighting, L.L.C. Tech Lighting reserves the right to change specifications for product improvements without notification.