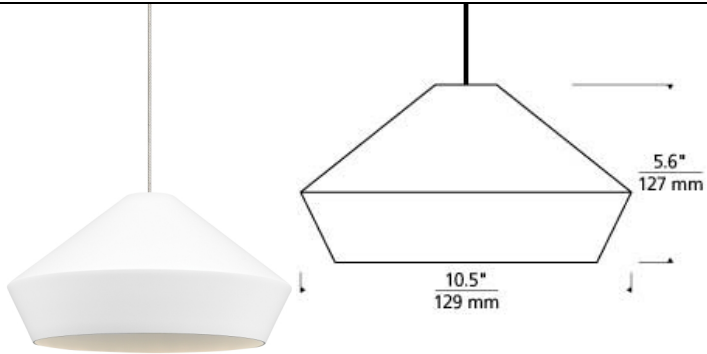


# LOW - VOLTAGE PENDANTS

## Brummel Pendant

### DESCRIPTION

The Brummel pendant light by Tech Lighting features a sophisticated mid-century modern design with its clean sharp lines defining its spun metal shade. Available in either a Matt White or Matt Black shade color and three on-trend finishes the Brummel pendant is customizable to fit your special space. Scaling at 5.6" in length and 10.5" in diameter the Brummel is ideal for dining room lighting, home office lighting and hallway lighting. Your choice of fully dimmable halogen or LED lamping ships with the Brummel saving you both time and money. Pair the Brummel pendant with the Monorail system by Tech Lighting for greater design customization in your special space. Rated for (1) low-voltage, 50 watt max bi-pin lamp (Lamp not included). LED includes 12 volt 8 watt, 500 gross lumens, 3000K replaceable LED SORAA® module. Ships with six feet of field-cutable cable. Dimmable with low-voltage electronic or magnetic dimmer (based on transformer). Works with SORAA.



### INSTALLATION

Socket terminates with FreeJack male connector, which may be installed into a system connector. Elements ordered with a system prefix include a connector for that system. For use on T~TRAK, order FreeJack version and T~TRAK FreeJack Connector (sold separately).

### ACCESSORIES & OPTICAL CONTROLS

SORAA® LED Bi-Pin Replacement Pendant Module

### WEIGHT

1.07lb / 0.49kg ±



charcoal gray

white

### ORDERING INFORMATION

700	SYSTEM	BML	COLOR	FINISH	LAMP
FJ	FREEJACK		Y MATTE CHARCOAL GRAY	Z ANTIQUE BRONZE	NO LAMP
KL	KABLE LITE		W MATTE WHITE	C CHROME	-LEDS930 12 VOLT LED 90 CRI 3000K (T20/T24)
MP	MONOPOINT			S SATIN NICKEL	
MO	MONORAIL				
MO2	TWO-CIRCUIT MONORAIL				

Note: Note: MP includes 4" Round Flush Canopy.

Antique Bronze is not available for Kable Lite.

Chrome not offered on Monorail & Two~Circuit Monorail.



Tech Lighting, L.L.C.

700 \_\_\_\_ BML \_\_\_\_\_

FIXTURE TYPE: \_\_\_\_\_

JOB NAME: \_\_\_\_\_

NOTES: \_\_\_\_\_

\_\_\_\_\_

\_\_\_\_\_

