

WALL COLLECTION

Bridgeport Wall



DESCRIPTION

Carriage light inspired cylinder glass shade with elegant metal plate and hand-welded fitter detail. Incandescent includes 120 volt 60 watt G9 base, halogen lamp; compact fluorescent includes 18 watt GX24Q-2 base triple tube lamp and electronic ballast. Incandescent version dimmable with standard incandescent dimmer. Suitable for damp locations.

INSTALLATION

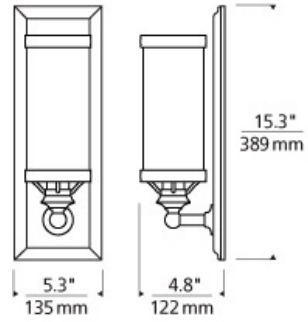
This product can mount to either a 4" square electrical box with round plaster ring or an octagonal electrical box (not included).

WEIGHT

3.83lb / 1.74kg ±



white



antique bronze



satin nickel

ORDERING INFORMATION

600BRGW COLOR

FINISH

LAMP

W WHITE

Z ANTIQUE BRONZE
N POLISHED NICKEL
S SATIN NICKEL

INCANDESCENT 120V
-CF COMPACT FLUORESCENT 120V



TECH LIGHTING®

7400 Linder Avenue
 Skokie, Illinois 60077

T 847.410.4400
 F 847.410.4500

Tech Lighting, L.L.C.

600BRGW _____

FIXTURE TYPE: _____

JOB NAME: _____

NOTES: _____



©2017 Tech Lighting, L.L.C. All Rights Reserved. The "Tech Lighting" graphic is a registered trademark of Tech Lighting, L.L.C. Tech Lighting reserves the right to change specifications for product improvements without notification.