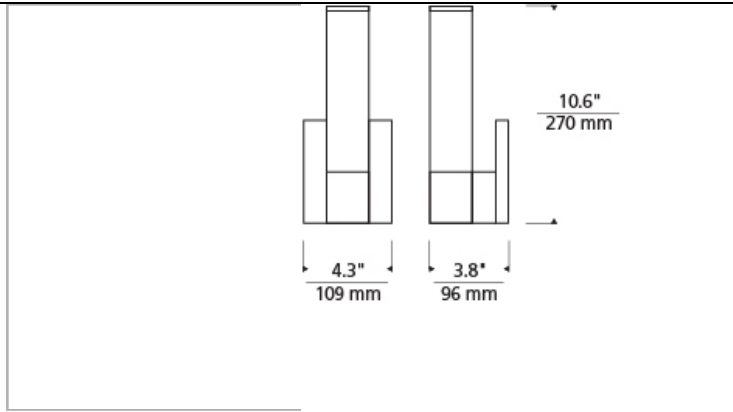


**DESCRIPTION**



**ORDERING INFORMATION**



**TECH LIGHTING®**

7400 Linder Avenue  
Skokie, Illinois 60077

T 847.410.4400  
F 847.410.4500

**Tech Lighting, L.L.C.**

FIXTURE TYPE:	_____
JOB NAME:	_____
NOTES:	_____
	_____
	_____



©2017 Tech Lighting, L.L.C. All Rights Reserved. The "Tech Lighting" graphic is a registered trademark of Tech Lighting, L.L.C. Tech Lighting reserves the right to change specifications for product improvements without notification.