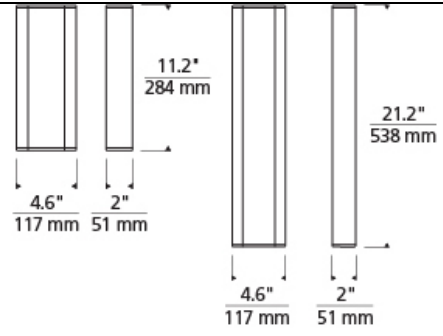


DESCRIPTION



gold haze
large



gold haze
small



satin haze
large



satin haze
small

ORDERING INFORMATION



TECH LIGHTING®

7400 Linder Avenue
Skokie, Illinois 60077

T 847.410.4400
F 847.410.4500

Tech Lighting, L.L.C.

FIXTURE TYPE: _____

JOB NAME: _____

NOTES: _____



©2017 Tech Lighting, L.L.C. All Rights Reserved. The "Tech Lighting" graphic is a registered trademark of Tech Lighting, L.L.C.
Tech Lighting reserves the right to change specifications for product improvements without notification.