

# Alate 13 Ceiling

LED T20

## DESCRIPTION

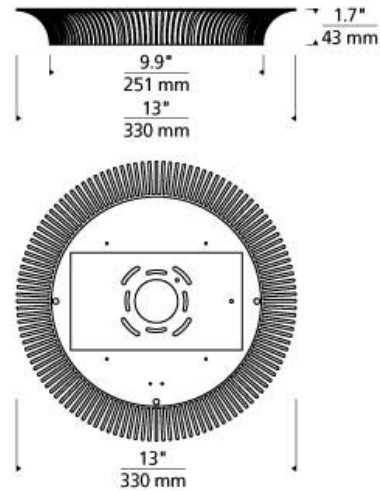
Alate by Tech Lighting is uniquely designed with delicately feathered fins surrounding a curved acrylic diffuser. The Alate ceiling flush mount offered in satin nickel is both contemporary and timeless. Integrated LEDs create abundant illumination with a soft appeal. Lamping options are compatible with most dimmers. Refer to Dimming Chart for more information. Includes 120 volt 17.6 total watts, 707 total delivered lumens, 3000K LED module. Dimmable with low-voltage electronic dimmer. Dimmable with most LED compatible ELV and TRIAC dimmers. 277V compatible with 0-10V dimmers. Ceiling mount only.

## INSTALLATION

This product can mount to either a 4" square electrical box with round plaster ring or an octagonal electrical box (not included).

## WEIGHT

3.5-3.5lb / 1.59-1.59kg ±



satin nickel

## ORDERING INFORMATION

| 700FMALT | LENGTH (A) | FINISH         | LAMP   |
|----------|------------|----------------|--|
| 13       | 13"        | S SATIN NICKEL | -LED930 INTEGRATED LED 90 CRI 3000K 120V (T24)<br>-LED930-277 INTEGRATED LED 90 CRI 3000K 277V |



**TECH LIGHTING®**

7400 Linder Avenue  
Skokie, Illinois 60077

T 847.410.4400  
F 847.410.4500

Tech Lighting, L.L.C.

700FM ALT \_\_\_\_\_

FIXTURE TYPE: \_\_\_\_\_

JOB NAME: \_\_\_\_\_

NOTES: \_\_\_\_\_

\_\_\_\_\_

\_\_\_\_\_



©2019 Tech Lighting, L.L.C. All Rights Reserved. The "Tech Lighting" graphic is a registered trademark of Tech Lighting, L.L.C. Tech Lighting reserves the right to change specifications for product improvements without notification.