

LINEAR SUSPENSION

Akimbo Linear Suspension

DESCRIPTION

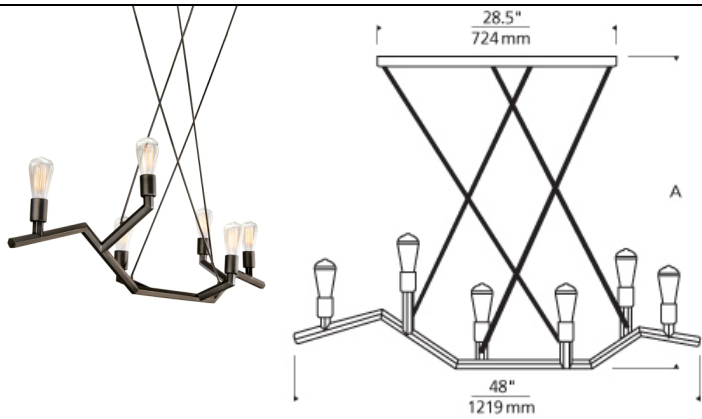
Jagged lines, asymmetrical shape and exposed Edison-style lamping combine to create a visually stimulating linear fixture inspired by the beauty of leafless winter tree branches. Available in two factory supplied stem lengths. Includes six 120V, 60 watt, S21 Squirrel Cage lamps as well as six 120V, 3.5 watt, 300 delivered. Dimmable with standard incandescent dimmer.

INSTALLATION

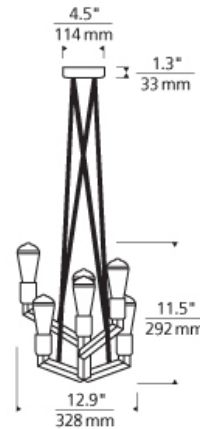
This product can mount to either a 4" square electrical box with round plaster ring or an octagonal electrical box (not included).

WEIGHT

22.8-22.8lb / 10.34-10.34kg ±



Length (A) 36" or 48"



antique bronze

black

ORDERING INFORMATION

700LSAKMB	LENGTH (A)	FINISH	LAMP
	36 36"	Z ANTIQUE BRONZE	INCANDESCENT 120V
	48 48"	B BLACK	



700LSAKMB _____

FIXTURE TYPE: _____

JOB NAME: _____

NOTES: _____
