

LOW - VOLTAGE PENDANTS

Akida Pendant

DESCRIPTION

A solid cylinder of optic crystal is hand-cut to create two elegant bands of light set off by the negative space of the Akida pendant light's handsome metal rings. Tech Lighting designers added a hand-blown frosted glass inner diffuser to gently soften the light and provide depth to this light fixture. Includes low-voltage, 35 watt halogen bi-pin lamp or 8 watt replaceable LED SORAA® module and six feet of field-cutable cable. Works with SORAA.

INSTALLATION

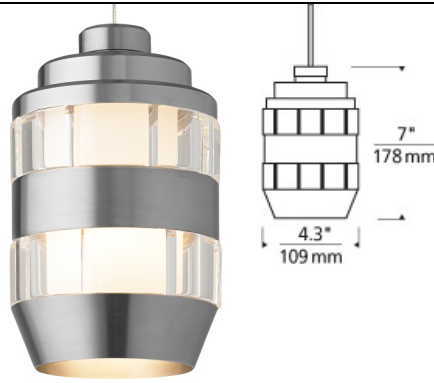
Socket terminates with FreeJack male connector, which may be installed into a system connector. Elements ordered with a system prefix include a connector for that system.

ACCESSORIES & OPTICAL CONTROLS

SORAA® LED Bi-Pin Replacement Pendant Module, Swag Hook

WEIGHT

3.47lb / 1.57kg ±



smoke-matte white



clear
matte black

clear
matte white

clear
satin nickel

smoke
matte black

smoke
matte white

smoke
satin nickel

ORDERING INFORMATION

700 SYSTEM	AKD	COLOR	FINISH	LAMP			
FJ	FREEJACK	CB	CLEAR-MATTE BLACK	Z	ANTIQUÉ BRONZE		12 VOLT HALOGEN
MP	MONOPOINT	CW	CLEAR-MATTE WHITE	S	SATIN NICKEL	-LEDS830	12 VOLT LED 80 CRI 3000K
MO	MONORAIL	CS	CLEAR-SATIN NICKEL			-24	24 VOLT HALOGEN
MO2	TWO-CIRCUIT MONORAIL	KB	SMOKE-MATTE BLACK				
		KW	SMOKE-MATTE WHITE				
		KS	SMOKE-SATIN NICKEL				

Note: MP includes 4" Round Flush Canopy.

When installing LED option on MO2 only magnetic transformers may be used.



TECH LIGHTING®
 7400 Linder Avenue T 847.410.4400
 Skokie, Illinois 60077 F 847.410.4500

Tech Lighting, L.L.C.

700 ____ AKD _____

FIXTURE TYPE: _____

JOB NAME: _____

NOTES: _____



©2017 Tech Lighting, L.L.C. All Rights Reserved. The "Tech Lighting" graphic is a registered trademark of Tech Lighting, L.L.C. Tech Lighting reserves the right to change specifications for product improvements without notification.