

Aeon Linear Suspension

LED T20

DESCRIPTION

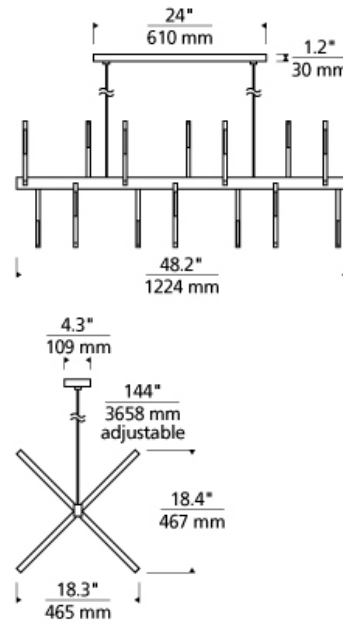
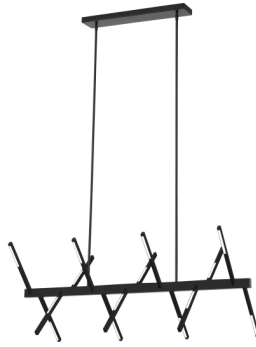
The Aeon Linear by Tech Lighting is a dynamic modern interpretation of tree branches that creates a playful motif in any space. Elongated arms feature direct and indirect light for a dramatic sculptural look in residential or commercial linear lighting applications. This linear work of art scales at 18" in height and 48" in width making it ideal for office lighting, conference room lighting and dining room lighting. Match the Aeon Linear to your precise taste by choosing from one of two on-trend finishes. The Aeon can carry into other areas of your space as this collection is available as a chandelier, wall sconce and flush mount. The integrated LED lamp is fully dimmable to create the desired ambiance using a low-voltage ELV or Triac dimmer. 120-277 volt universal 95.2 watt, 3409 delivered lumens, 3000K, 90 CRI LED linear modules. Dimmable with low-voltage electronic, triac, or 0-10v dimmer. Includes (4) 6", (4) 12" and (2) 24" rigid stems in coordinating finish.

INSTALLATION

This product can mount to either a 4" square electrical box with round plaster ring or an octagonal electrical box (not included).

WEIGHT

14.0-14.5lb / 6.35-6.58kg ±



matte black



matte white

ORDERING INFORMATION

700LSAEON FINISH

LAMP

B MATTE BLACK
W MATTE WHITE

-LED930 INTEGRATED LED 90 CRI 3000K 120V-277 UNV



TECH LIGHTING®

7400 Linder Avenue
Skokie, Illinois 60077

T 847.410.4400
F 847.410.4500

Tech Lighting, L.L.C.

700LS AEON ____

FIXTURE TYPE: _____

JOB NAME: _____

NOTES: _____



©2018 Tech Lighting, L.L.C. All Rights Reserved. The "Tech Lighting" graphic is a registered trademark of Tech Lighting, L.L.C. Tech Lighting reserves the right to change specifications for product improvements without notification.