

Exhibiting Tech Lighting's refined and unadorned minimalist aesthetic, the Zur Collection of bollards feature an innovative pivot design that aims light precisely as needed for way finding, architectural accents or landscape illumination. The elegant Zur Outdoor Collection blends seamlessly and inconspicuously into contemporary architecture and landscapes while providing efficient LED illumination.

Outstanding protection against the elements:

- Marine-grade powder coat finishes
- Stainless Steel mounting hardware
- IP-65 rated

Head pivots 300° for directional illumination or wall grazing

SPECIFICATIONS

DELIVERED LUMENS	45°: 1878, 0°: 1131, 920 (12V)
WATTS	20 or 15(12V)
VOLTAGE	Universal 120-277V, with integral transient 2.5kV surge protection (driver) or 12V
SECONDARY SURGE PROTECTOR	10kA (120-277V)
DIMMING	0-10, ELV, MLV (12V)
LIGHT DISTRIBUTION	Adjustable
OPTICS	40° (2)
MOUNTING OPTIONS**	Bolt
ADJUSTABILITY	Head pivots 300°
PERFORMANCE OPTIONS	In-Line Fuse (120V)
CCT	2700K, 3000K or 4000K
CRI	80+
COLOR BINNING	3 Step
BUG RATING	45°: B0-U2-G1, 0°: B1-U1-G0
DARK SKY	Compliant (Aimed down)
WET LISTED	IP65
GENERAL LISTING	ETL
CALIFORNIA TITLE 24	Can be used to comply with CEC 2016 Title 24 Part 6 for outdoor use. Registration with CEC Appliance Database not required.
START TEMP	-30°C
FIELD SERVICEABLE LED	Yes
CONSTRUCTION	Aluminum
HARDWARE	Stainless Steel
FINISH	Marine Grade Powder Coat
LED LIFETIME	L70; 70,000 Hours
WARRANTY*	5 Years

* Visit techlighting.com for specific warranty limitations and details.
 **Bollard base not suitable for branch circuit through wiring.



ZUR BOLLARD
shown in bronze



ZUR BOLLARD
shown in black

12V AC TRANSFORMERS*

(OUTDOOR RATED, ORDERED SEPARATELY)

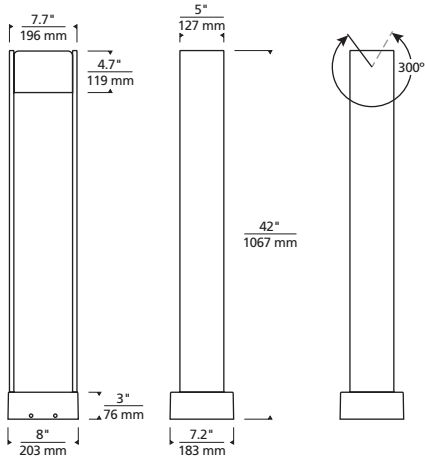
ITEM	DESCRIPTION	HOUSING	DIMMING
700OT150T	MAGNETIC, 150W, 120V	STAINLESS STEEL	MAGNETIC
700OT150T277	MAGNETIC, 150W, 277V	STAINLESS STEEL	MAGNETIC
700OT300T	MAGNETIC, 300W, 120V	STAINLESS STEEL	MAGNETIC
700OT300T277	MAGNETIC, 300W, 277V	STAINLESS STEEL	MAGNETIC

ORDERING INFORMATION

700OBZUR	CRI/CCT	LENGTH	FINISH	VOLTAGE	DISTRIBUTION	OPTIONS
827	80 CRI, 2700K	42 42"	Z BRONZE	UNV 120V-277V	A ADJUSTABLE	NONE
830	80 CRI, 3000K		B BLACK	12 12V**		LF IN-LINE FUSE*
840	80 CRI, 4000K					

*IN-LINE FUSE FOR USE ONLY IN 120V-277V VERSION. **12V TRANSFORMER ORDERED SEPARATELY.

ZUR 42 BOLLARD



Zur Bollard

Head rotation

PHOTOMETRICS*

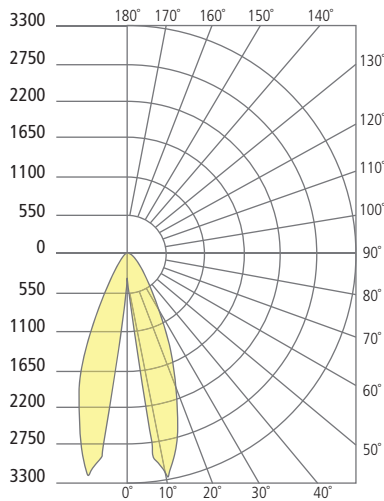
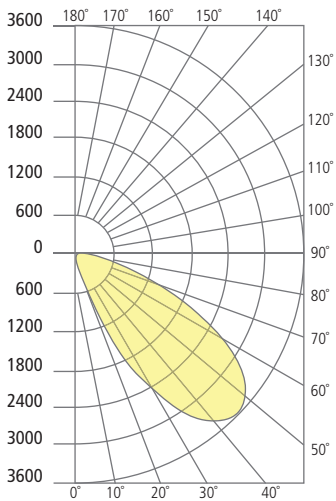
*For latest photometrics, please visit www.techlighting.com/OUTDOOR

ZUR 42 BOLLARD- 45°

Total Lumen Output: 1878
 Total Power: 20
 Luminaire Efficacy: 95
 Color Temp: 3000K
 CRI: 80+
 BUG Rating: B0-U2-G1

ZUR 42 BOLLARD- 0°

Total Lumen Output: 1131
 Total Power: 20
 Luminaire Efficacy: 57
 Color Temp: 3000K
 CRI: 80+
 BUG Rating: B1-U1-G0



PROJECT INFO

FIXTURE TYPE & QUANTITY

JOB NAME & INFO

NOTES



© 2018 Tech Lighting, L.L.C. All rights reserved. The "Tech Lighting" graphic is a registered trademark of Tech Lighting, L.L.C. Tech Lighting reserves the right to change specifications for product improvements without notification.



GENERATION BRANDS
 7400 Linder Avenue, Skokie, Illinois 60077
 T 847.410.4400 F 847.410.4500