

ROTON 18 OUTDOOR PENDANT



The Roton pendant makes an impressive design statement in the simplicity and scale of its cylindrical geometry. Featuring a spun aluminum body and subtle diffuser, the Roton pendant houses a powerful LED light source designed to deliver softly diffused down lighting for controlled and distinctive illumination.

Outstanding protection against the elements:

- Marine-grade powder coat finishes
- Stainless Steel mounting hardware
- Impact-resistant, UV stabilized lensing
- IP-65 Rated

Adjustable distance from ceiling

SPECIFICATIONS

DELIVERED LUMENS	2800
WATTS	35
VOLTAGE	Universal 120-277V
DIMMING	0-10, ELV, TRIAC
LIGHT DISTRIBUTION	Symmetric
MOUNTING OPTIONS	Ceiling
ADJUSTABILITY	Adjustable stem length (3", 6" and 12"). Integrated ball joint that accommodates sloped ceiling up to 45°.
CCT	2700K, 3000K or 4000K
CRI	90+
COLOR BINNING	3 Step
BUG RATING	N/A
DARK SKY	Non-compliant
WET LISTED	IP65
GENERAL LISTING	ETL
CALIFORNIA TITLE 24	Can be used to comply with CEC 2016 Title 24 Part 6 for outdoor use. Registration with CEC Appliance Database not required.
START TEMP	-30°C
FIELD SERVICEABLE LED	Yes
CONSTRUCTION	Aluminum
HARDWARE	Stainless Steel
FINISH	Marine Grade Powder Coat
LED LIFETIME	L70; 70,000 Hours
WARRANTY*	5 Years



ROTON 18 PENDANT
shown in charcoal



ROTON 18 PENDANT
shown in bronze

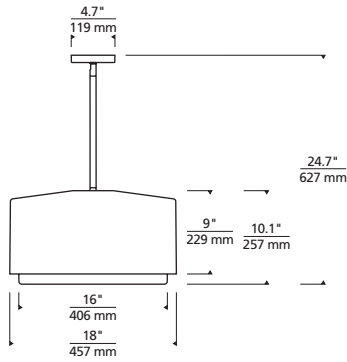
* Visit techlighting.com for specific warranty limitations and details.

ORDERING INFORMATION

700OPROT	CRI / CCT	WIDTH	FINISH	VOLTAGE
	927 90 CRI, 2700K	18 18"	Z BRONZE	UNV 120V-277V
	930 90 CRI, 3000K		H CHARCOAL	
	940 90 CRI, 4000K		B BLACK	

RIGID STEM ONLY (ADJUSTABLE 3", 6" AND 12" LENGTHS)

ROTON 18 OUTDOOR PENDANT



Roton Pendant

PHOTOMETRICS*

*For latest photometrics, please visit www.techlighting.com/OUTDOOR

ROTON 18

Total Lumen Output:	2800
Total Power:	35
Luminaire Efficacy:	80
Color Temp:	2700K, 3000K or 4000K
CRI:	90+
BUG Rating:	N/A

PROJECT INFO

FIXTURE TYPE & QUANTITY	JOB NAME & INFO	NOTES



GENERATION BRANDS
7400 Linder Avenue, Skokie, Illinois 60077

T 847.410.4400 F 847.410.4500



© 2018 Tech Lighting, L.L.C. All rights reserved. The "Tech Lighting" graphic is a registered trademark of Tech Lighting, L.L.C. Tech Lighting reserves the right to change specifications for product improvements without notification.