

# Unilume LED Slimline

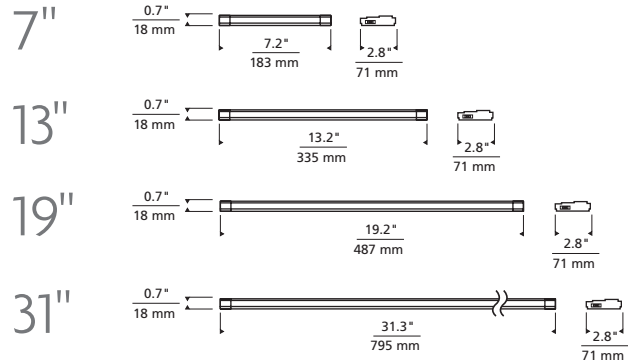
title  
24



WHITE  
(SHOWN OFF)



BLACK  
(SHOWN ON)



## DESCRIPTION

Utilizing tightly clustered blue LEDs, a 98% reflective mixing chamber and an Intematix ChromaLit™ remote phosphor lens, the result is consistent illumination with ultra high efficiency – all in a housing that is less than 3/4 of an inch deep. An integrated LED driver makes installation easy and allows smooth dimming down to 15% using a standard or ELV dimmer. Available in three color temperatures: 2700, 3000 and 3500K, and choice of black or white housing.

## INTEGRATED DRIVER AND SMOOTH DIMMING

120 volt input makes installation easy. Smooth dimming down to 15% using ELV dimmer. Jumper cables make it easy to link one unit to another (sold separately). Each unit has an integrated on-off switch.

## TECHNICAL SPECIFICATIONS

	7" Length	13" Length	19" Length	31" Length
System Power:	4.0 watts	8.5 watts	10.5 watts	18.0 watts
System Lumens:	240	527	693	1224
System Efficacy:	60 lms/watt	62 lms/watt	66 lms/watt	68 lms/watt
Color Temperatures:	2700K, 3000K, 3500K	2700K, 3000K, 3500K	2700K, 3000K, 3500K	2700K, 3000K, 3500K
Color Rendering Index:	90+	90+	90+	90+
Rated Average Life:	50,000 hours to 70%	50,000 hours to 70%	50,000 hours to 70%	50,000 hours to 70%
Power Factor:	0.94	0.94	0.94	0.94
Dimming:	To 15% with ELV Dimmer	To 15% with ELV Dimmer	To 15% with ELV Dimmer	To 15% with ELV Dimmer
Warranty:	5 years	5 years	5 years	5 years

## ORDERING INFORMATION

700UCF	LENGTH	CRI	COLOR TEMPERATURE	FINISH	LAMP TYPE		
07	7.2"	9	90+	2	2700K	B BLACK	-LED LED
13	13.2"	3	3000K	W	WHITE		
19	19.2"	5	3500K				
31	31.3"						



**TECH LIGHTING®**

7400 Linder Avenue T 847.410.4400  
Skokie, Illinois 60077 F 847.410.4500

[www.techlighting.com](http://www.techlighting.com)

700UCF \_\_\_\_\_ 9 \_\_\_\_\_ -LED

FIXTURE TYPE: \_\_\_\_\_

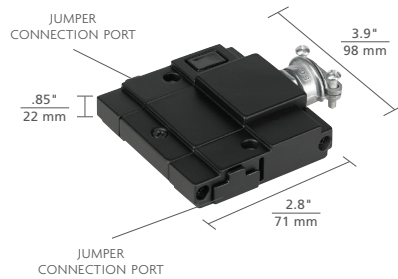
JOB NAME: \_\_\_\_\_



# Unilume LED Slimline Accessories

## SPLICE BOX

Required for hardwire applications. A connection port is located on each side to feed runs in both directions. The 1" Jumper Connector can be used to place the Splice Box next to the Undercabinet Housing or a longer Jumper Connector can be used to place the Splice Box in a more convenient or remote location. Includes Romex 3/8" conduit connector.



700UCSB	FINISH
	B BLACK
	W WHITE

\* REQUIRES JUMPER CABLE, TO BE ORDERED SEPARATELY

## JUMPER CONNECTORS

Can be used to link one Undercabinet Housing to another or to a Splice Box. The maximum wattage for a single run is 600 watts. Use Female to Female Connector to create longer lengths or contact us for custom lengths. Nominal length.



700UCJC	LENGTH*	COLOR
01	1"	B BLACK
03	3"	W WHITE
06	6"	
12	12"	
24	24"	

\* FOR CUSTOM LENGTHS, CONTACT OUR FACTORY

## FEMALE TO FEMALE CONNECTOR

Joins two Jumper Connectors together.

700UCFFC	COLOR
	B BLACK
	W WHITE



## "T" CONNECTOR

Used to join three male connectors together.

700UCTC	COLOR
	B BLACK
	W WHITE



## PLUG-IN WALL FEED

Can be used to plug one Undercabinet Housing directly into an outlet.

700UCPL	LENGTH*	COLOR
	24 24"	B BLACK
	72 72"	W WHITE



\* FOR CUSTOM LENGTHS, CONTACT OUR FACTORY

## UNILUME LED SLIMLINE AWARDS



**TECH LIGHTING®**

7400 Linder Avenue T 847.410.4400  
Skokie, Illinois 60077 F 847.410.4500

[www.techlighting.com](http://www.techlighting.com)



© 2015 Tech Lighting, L.L.C. All rights reserved. The "Tech Lighting" graphic is a registered trademark of Tech Lighting, L.L.C. Tech Lighting reserves the right to change specifications for product improvements without notification.