

# Clark Pendant

600CLKP

1.2



## GENERAL PRODUCT INFORMATION:



This product can mount to either a 4" square electrical box with round plaster ring or an octagon electrical box.

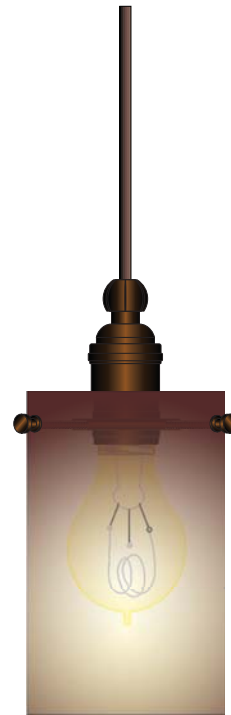
This product is suitable for damp locations.

This product can be dimmed with a standard incandescent dimmer.

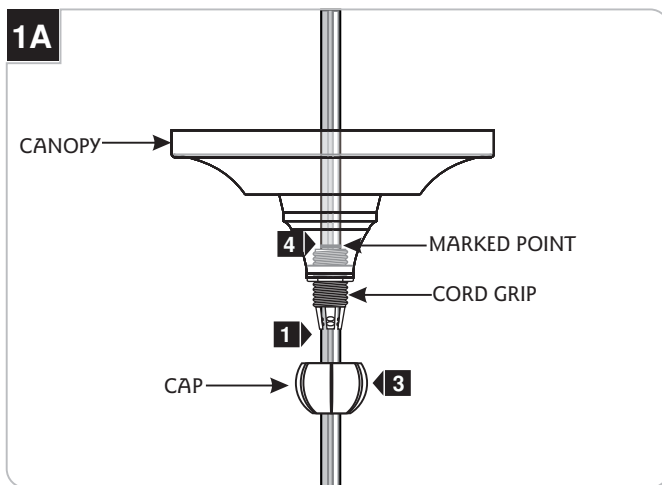
This instruction shows a typical installation.

### CAUTION - RISK OF FIRE

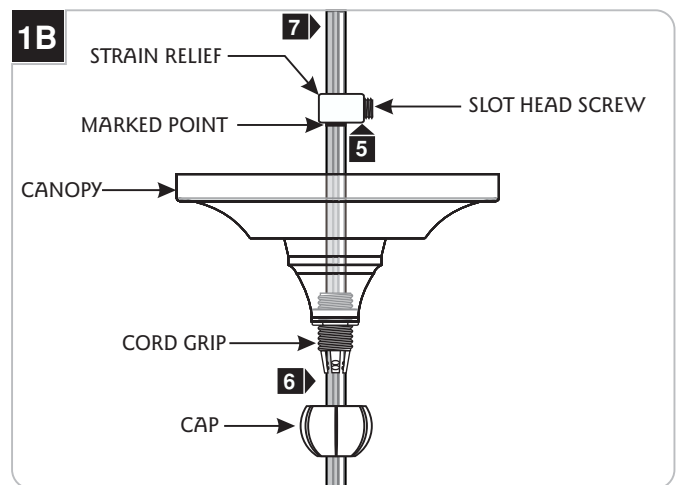
This product requires installation by a qualified electrician. Before installing be sure to read all instructions and DISCONNECT POWER TO THE ELECTRICAL BOX.



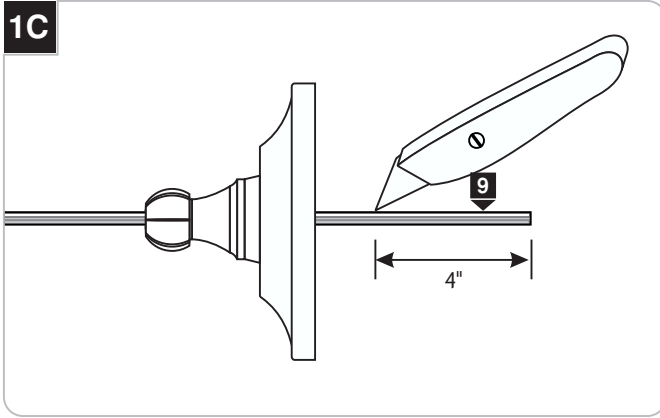
## Install the Fixture



- 1** Feed end of the fixture cord through the cap, and cord grip into the canopy.
- 2** Adjust the fixture height (from bottom of the fixture shade to top of the canopy) by moving the cord up or down.
- 3** When desired height is achieved, slightly tighten the cap.
- 4** From inside mark the cord right behind the cord grip for strain relief location.

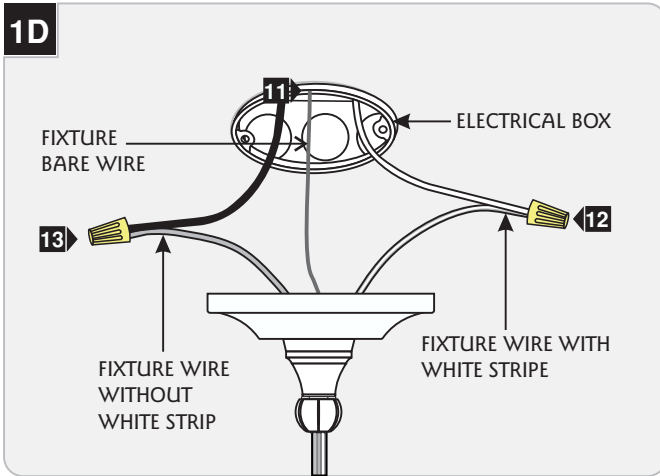


- 5** Loosen the cap and feed the cord through the strain relief. Place the strain relief right above the marked point and tighten the slot head screw.
- 6** Slide the canopy up against the strain relief and tighten the cap to cord grip.
- 7** For power connection, leave at least 6" of the cord exposed in the back of the canopy.
- 8** Cut off the excess cord with a sharp cutter.



**9** From the end of the cord, strip the outer insulation 4" using a sharp knife and needlenose pliers. ***Make sure not to cut inner wires.***

**10** Strip 1/4" of insulation from the inner insulated wires. The bare inner wire is the ground wire.

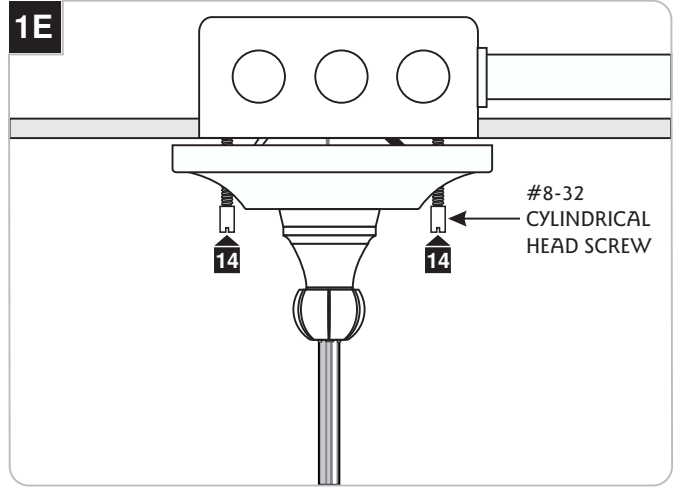


**NOTE:** Use the provided universal round crossbar when the canopy holes do not line up with the electrical box holes.

**11** Connect the fixture bare uninsulated wire to the ground in accordance with local electrical codes.

**12** Connect the fixture wire with the white stripe to the **neutral** power line wire with a wire nut.

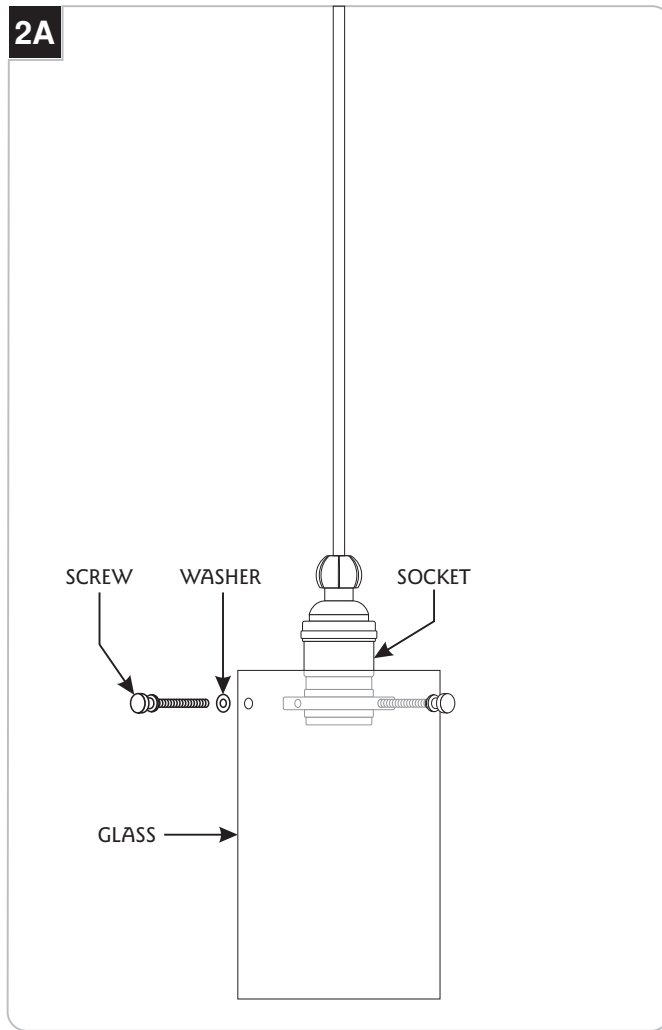
**13** Connect the remaining wire to the **hot** power line wire with a wire nut.



**14** Place all wires and wire nut connections properly into the electrical box and mount the canopy to the electrical box with the provided two #8-32 cylindrical head screws.

## Install the Glass and Lamp

2A



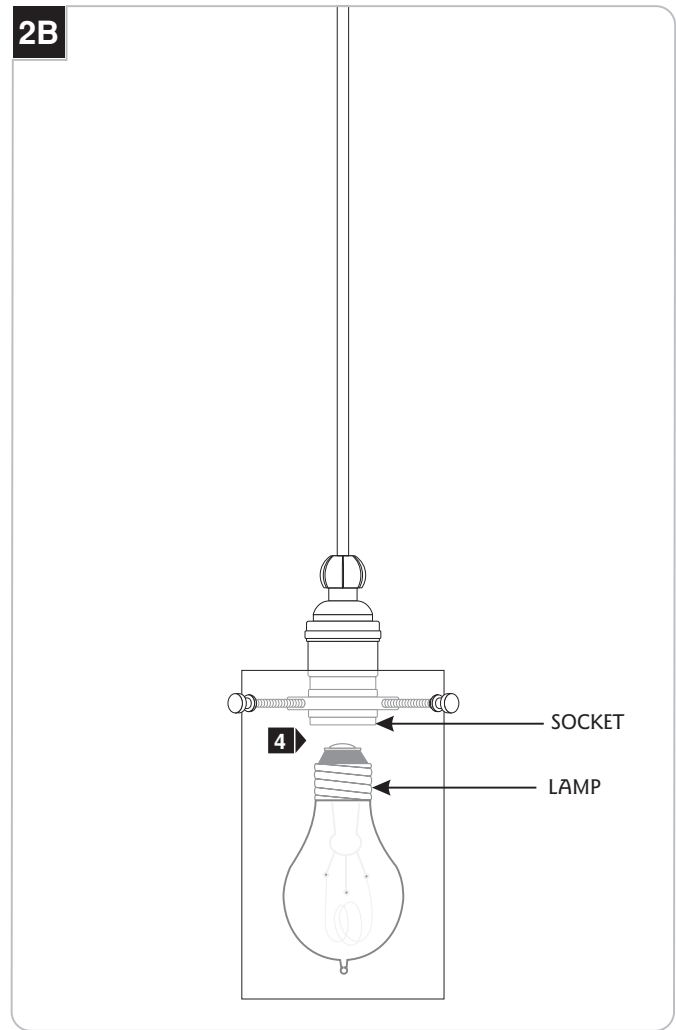
1 ▶ Feed a screw through a plastic washer and a hole in the glass.

2 ▶ Tighten the screw into the threaded hole in the socket.

**CAUTION!** Do not over tighten the thumb screws. Overtightening may break the glass and result in injury.

3 ▶ Repeat steps 1-2 for the remaining screws.

2B



**CAUTION!** To reduce the risk of a burn or electric shock during relamping, disconnect the power to the fixture.

Refer to fixture marking for lamp information.

4 ▶ Screw the new lamp completely into the socket.

**SAVE THESE INSTRUCTIONS!**



7400 Linder Ave, Skokie, IL 60077  
847.410.4400

**[www.wilmettelighting.com](http://www.wilmettelighting.com)**

© 2017 Wilmette Lighting Company. All rights reserved. The "Wilmette Lighting Company" graphic is a registered trademark of Wilmette Lighting Company. Wilmette Lighting Company reserves the right to change specifications for product improvements without notification.

A Generation Brands Company