

Siena Wall

CW003 | 1.0

GENERATION BRANDS

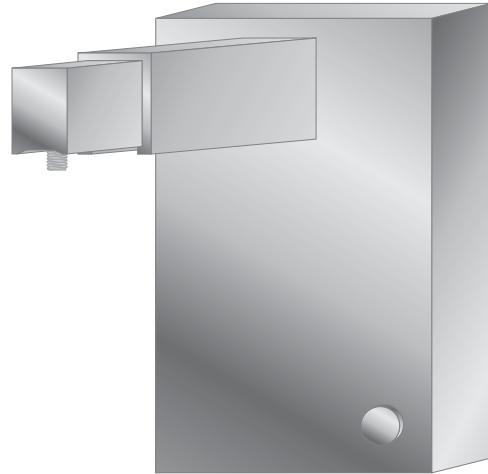
GENERAL PRODUCT INFORMATION:



This product is suitable for damp locations.

This product can mount either to a 4" square electrical box with a round plaster ring or an octagon electrical box.

This instruction shows a typical installation.

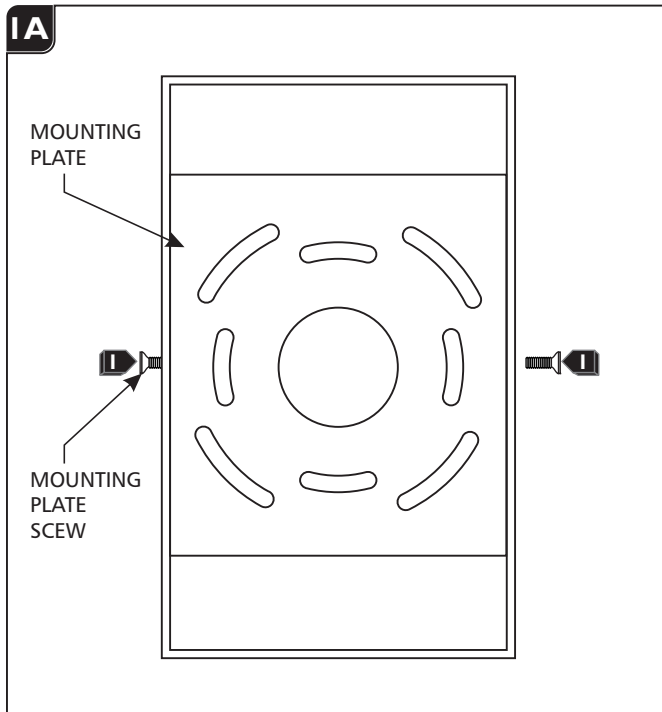


CAUTION - RISK OF FIRE

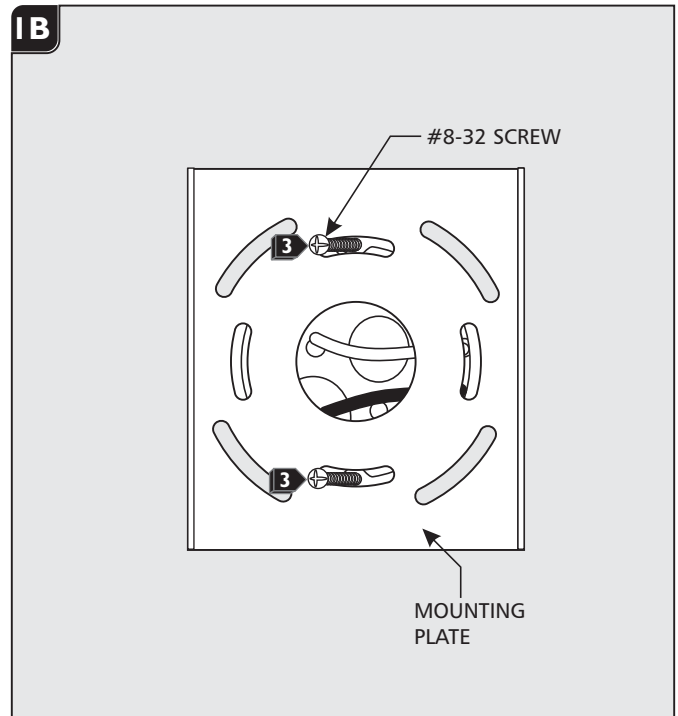
This product must be installed in accordance with the applicable installation code by a person familiar with the construction and operation of the product and the hazards involved.

Use minimum 90°C supply conductors.

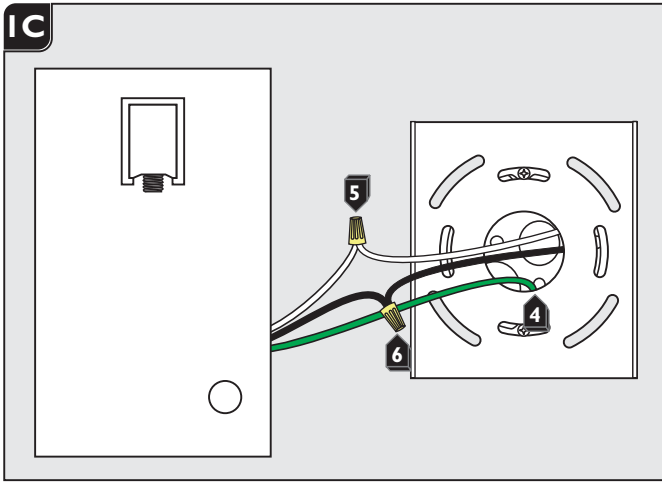
Install the Mounting Plate



- 1** Unscrew and remove the 2 mounting plate screws.
- 2** Remove the mounting plate from the fixture base.



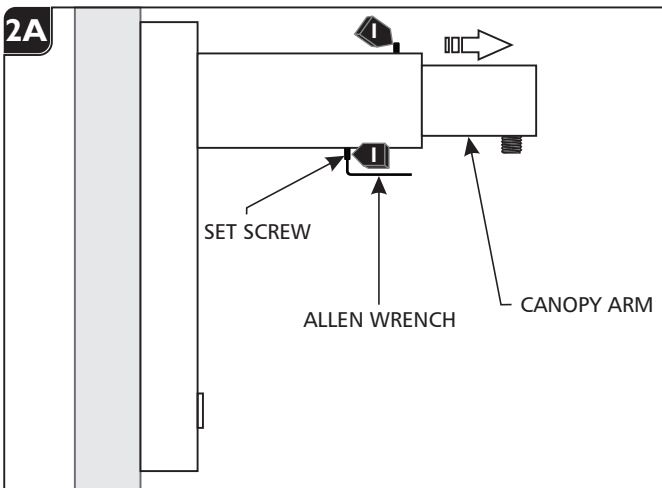
- 3** Attach the mounting plate to the electrical box using the two #8-32 screws provided.



- 4 Connect the fixture to a suitable ground in accordance with local electrical codes.
- 5 Connect the available white fixture wire to the neutral power line wire with a wire nut.
- 6 Connect the available black fixture wire to the hot power line wire with a wire nut.
- 7 Properly place the transformer, wires, and wire nut connections into the electrical box.
- 8 Mount the fixture by sliding it back onto the mounting plate and reinstalling the two fixture screws (reversal of figure 1A).

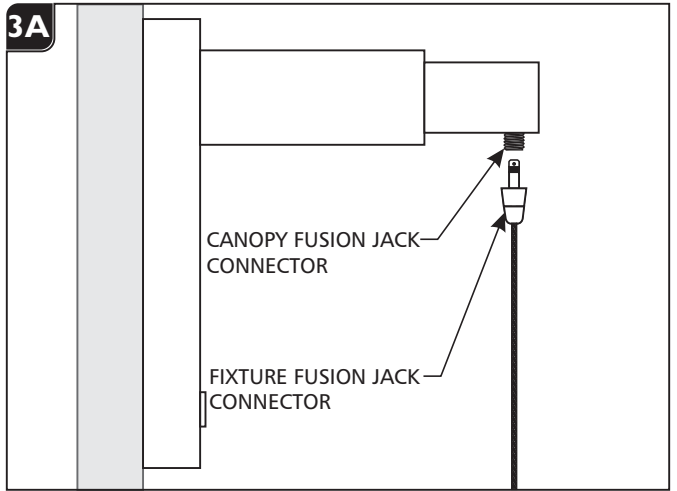
Adjust the Canopy

Note: Depending on the size of the shade and the desired distance of the shade from the wall, Adjustments of the canopy length can be made using this section. It is important to plan out the desired height of the pendant along with the desired distance from the wall before shortening the cable.

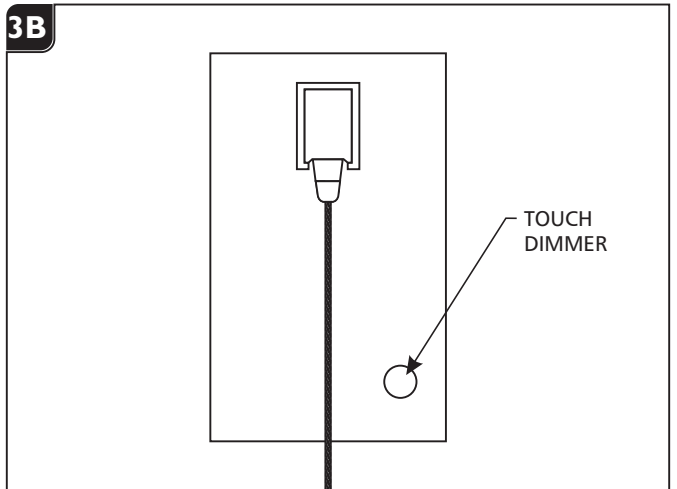


- 1 If needed, adjust the canopy arm's length by loosening the top and bottom set screws, pull the arm out to the desired position, and secure it in place by re tightening the set screws.

Install the Fixture



- 1 Follow the instruction provided with the pendant to shorten the cable.
- 2 Screw the Fixture Fusion Jack male connector into the Fusion Jack female connector.



- 3 Tap the touch dimmer to dim the fixture.

SAVE THESE INSTRUCTIONS!

GENERATION BRANDS

7400 Linder Ave, Skokie, IL 60077

800.323.3226 - 847.626.6300

www.generation-brands.com

© 2014 Generation Brands. All rights reserved. The "Generation Brands" graphic is a registered trademark of Generation Brands. Generation Brands reserves the right to change specifications for product improvements without notification.

A Generation Brands Company