

X Conductive Connectors

1.0

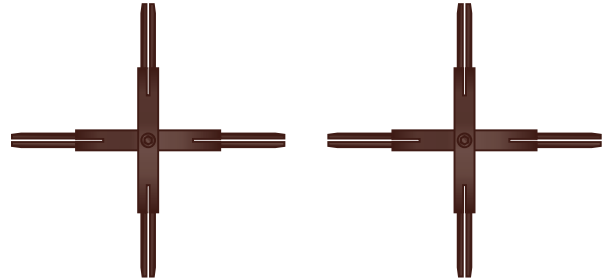


ENCOMPASS LIGHTING GROUP

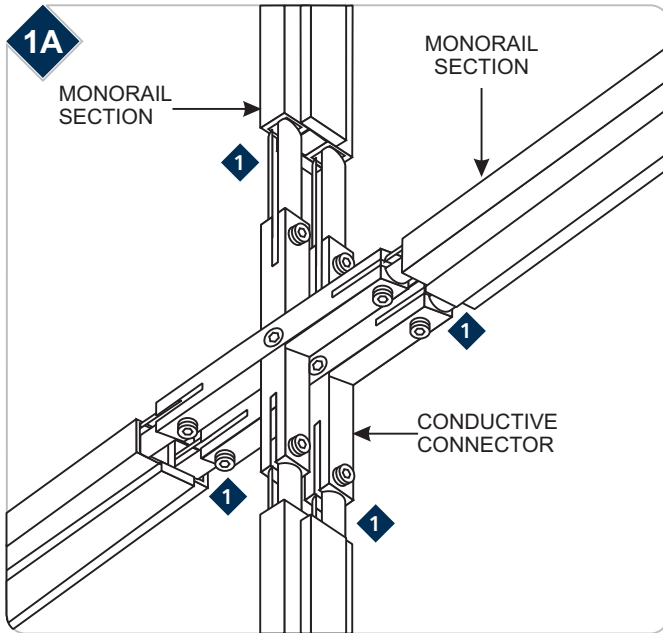
MONORAIL

GENERAL PRODUCT INFORMATION:

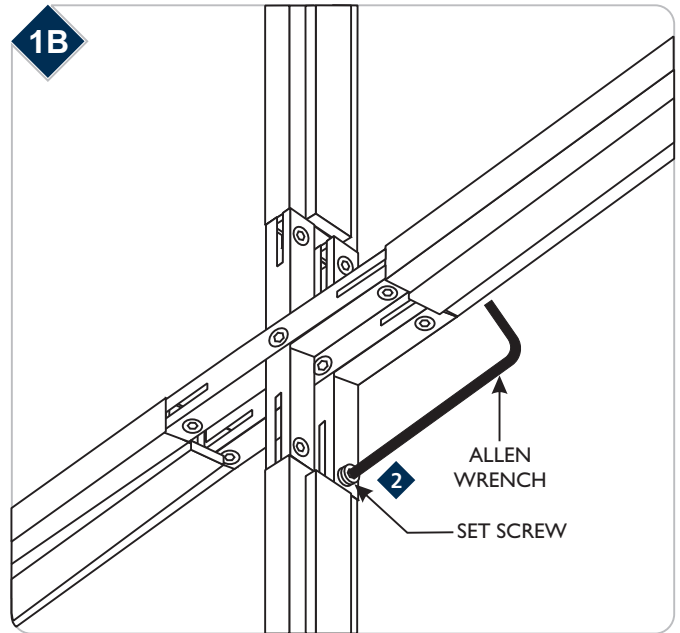
This product is suitable for dry locations only.



Install the Conductive Connectors



1 Push the four Monorail sections completely onto the three X conductive connectors.



2 Tighten all the set screws with the Allen wrench provided. Make sure all set screw connections are tight for a proper power connection and to prevent heat build up.

SAVE THESE INSTRUCTIONS!



ENCOMPASS LIGHTING GROUP

7400 Linder Ave, Skokie, IL 60077
847.410.4400

www.encompasslighting.com

© 2008 Encompass Lighting Group. All rights reserved. The "Encompass Lighting Group" graphic is a registered trademark of Encompass Lighting Group. Encompass Lighting Group reserves the right to change specifications for product improvements without notification.

A Generation Brands Company