



**GENERAL PRODUCT INFORMATION:**



This product can mount to either a 4" square electrical box with a round plaster ring or an octagon electrical box.

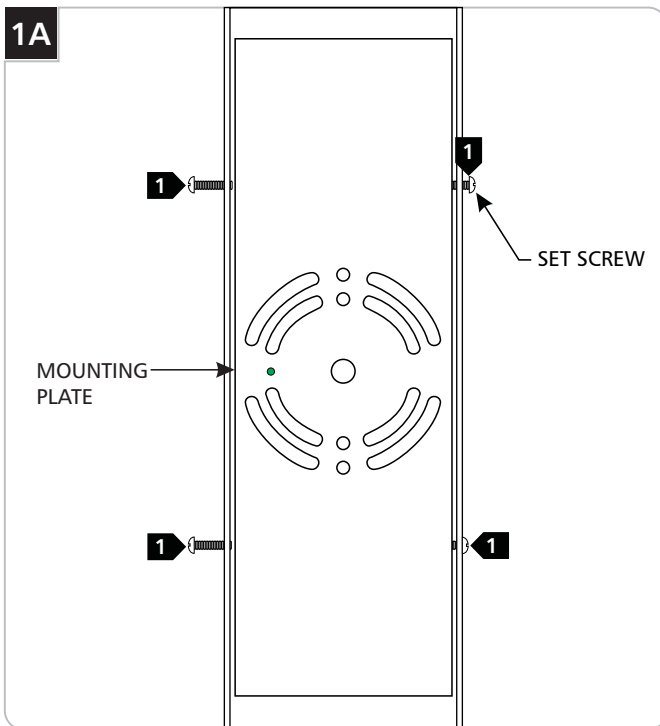
This product is suitable for damp locations.

This instruction shows a typical installation.

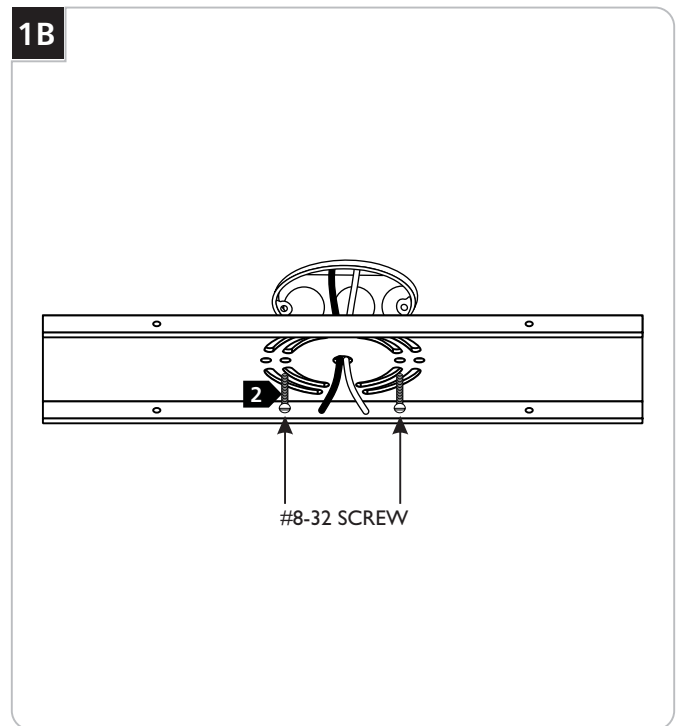


**CAUTION:** To reduce the risk of a burn or electric shock during relamping, disconnect the power to the fixture.

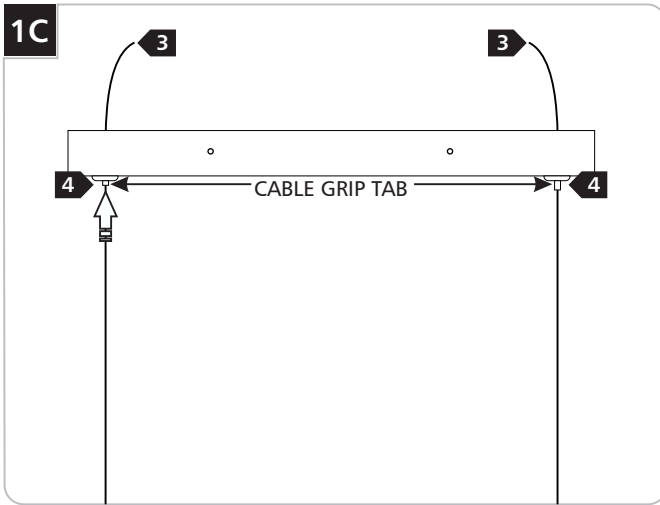
**Install the Fixture**



**1** Unscrew the four set screws from the canopy and remove the mounting plate.

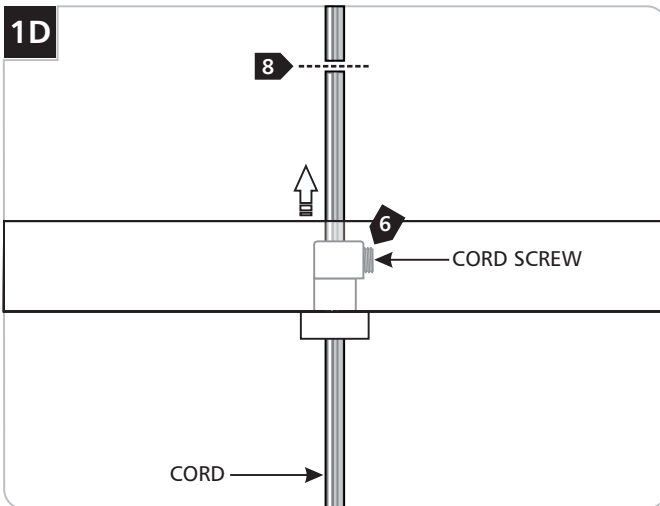


**2** Attach the mounting plate to the electrical box using the two #8-32 screws provided.

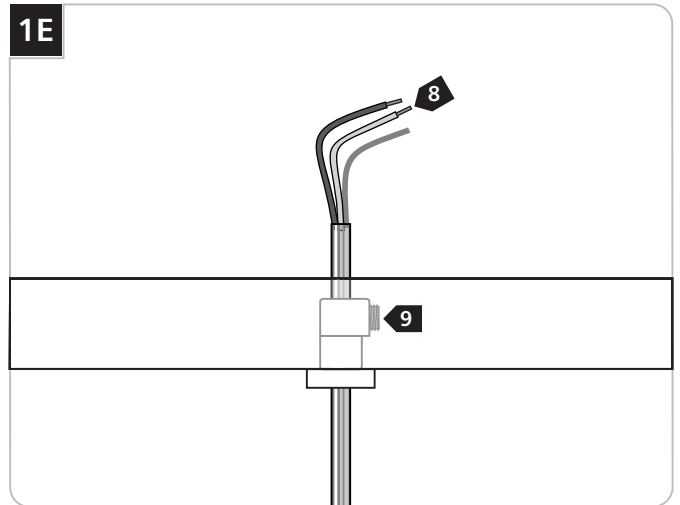


**NOTE:** When cutting the support cable to desired length, leave extra cable for fine tune leveling.

- 3 To change the drop height of the fixture, cut each of the support cables to the same desired length.
- 4 Push the tab down on the cable grip and feed the support cable into the cable grip post. Repeat this step for both support cables.
- 5 To level the chandelier hardware, push the tab on the cable grip and feed more or less of the support cable into the cable grip. Make fine adjustments to each cable until the hardware is level.

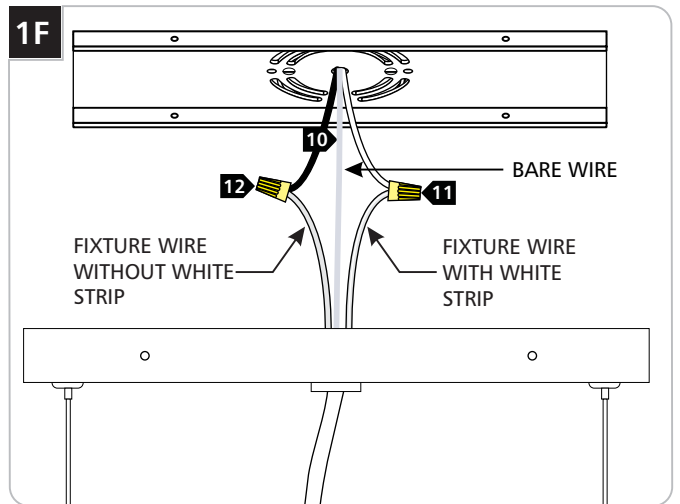


- 6 Loosen the cord screw.
- 7 Pull the power cord through the canopy until it reaches the length desired.  
**NOTE:** The power cord does not support the chandelier, and does not have to be tight. For a casual "lazy cord" look, cut the power cord several inches longer than the drop height of the chandelier.
- 8 Leave 6 inches of cord behind the canopy and cut off extra cord.



- 8 Strip the cable behind the canopy, and strip the ends of the inner wires.
- 9 Tighten the cord screw.

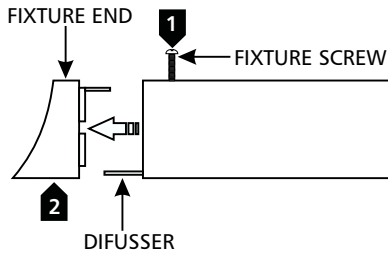
**NOTE:** It is recommended that one person hold the fixture while the electrician connects the power and installs the canopy.



- 10 Connect the bare wire to a suitable ground in accordance with local electrical codes.
- 11 Connect the wire with the white strip to the neutral power line wire with a wire nut.
- 12 Connect the remaining wire to the hot power line wire with a wire nut.
- 13 Remount the canopy to the mounting plate and secure it by reinstalling and tightening the four screws. (Reversal of figure 1A.)

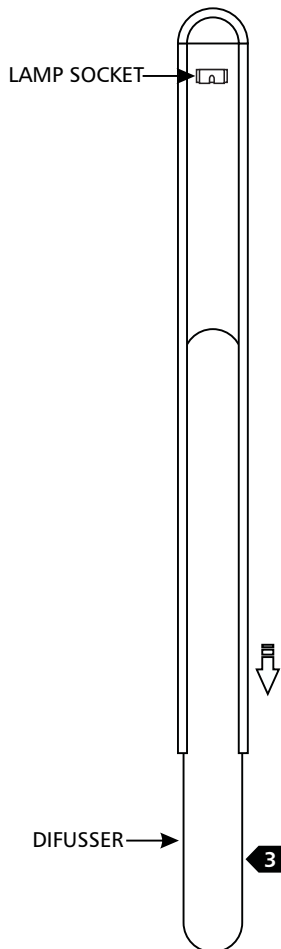
# Install the Lamp

2A



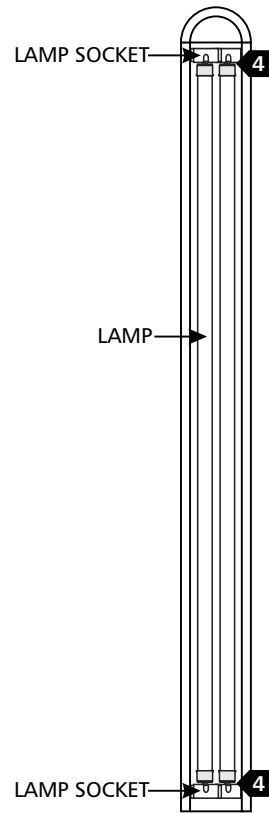
- 1 Loosen one of the top fixture screws on either end of the fixture.
- 2 Slide the fixture end straight out to expose the diffuser.

2B



- 3 Slide out the diffuser completely to access the lamp sockets.

2C



**CAUTION:** To reduce the risk of a burn or electric shock during relamping, disconnect the power to the fixture.

use **MAX 54 Watt** type T5 high output linear fluorescent lamp.



- 4 Line up the lamp pins into the sockets and rotate the lamps to lock them in place.
- 5 Reinstall the diffuser, fixture end, and screw. Secure them by tightening the fixture screw. (Reversal of figure 2A and 2B.)

**SAVE THESE INSTRUCTIONS!**



**TECH LIGHTING®**

7400 Linder Ave, Skokie, IL 60077  
847.410.4400

[www.techlighting.com](http://www.techlighting.com)

© 2012 Tech Lighting, L.L.C. All rights reserved. The "Tech Lighting" graphic is a registered trademark of Tech Lighting, L.L.C. Tech Lighting reserves the right to change specifications for product improvements without notification.  
A Generation Brands Company