

GENERAL PRODUCT INFORMATION:

This product is suitable for damp locations.

These fixtures are intended to be installed utilizing NEC compliant junction boxes.

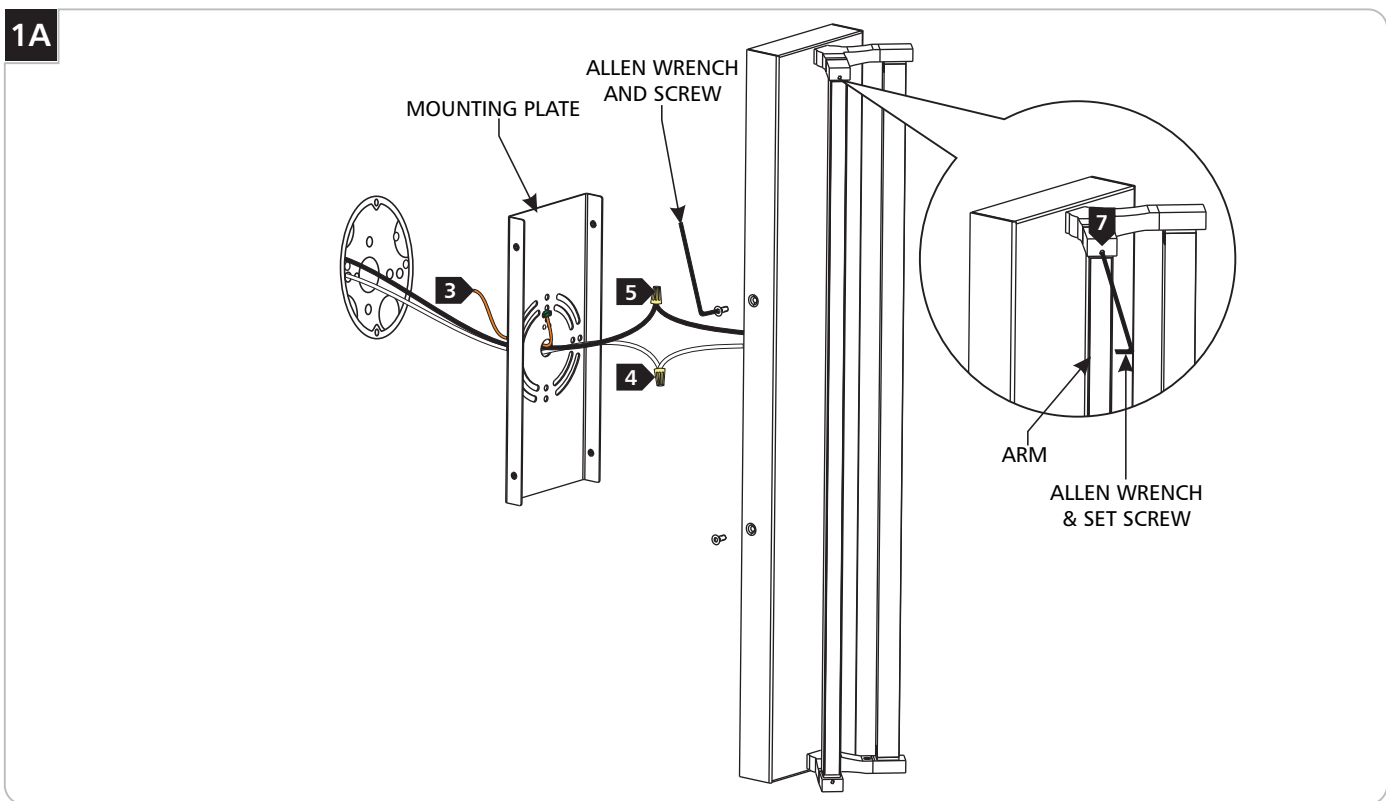


This product can be dimmed with most ELV or TRIAC dimmers.

This instruction shows a typical installation.

CAUTION - RISK OF FIRE
This product must be installed in accordance with the applicable installation code by a person familiar with the construction and operation of the product and the hazards involved.
Use minimum 90°c supply conductors.

Install the Fixture



- 1** Remove the mounting plate from the fixture base by unscrewing the Allen screws on the sides of the base using the provided Allen wrench.
- 2** Install the mounting plate to the junction box with the two #8-32 screws (not shown) provided. Verify that the mounting plate is level before continuing.
- 3** Connect the fixture to a suitable ground in accordance with local electrical codes.
- 4** Connect the white driver wire to the neutral power line.
- 5** Connect the black driver wire to the hot power line.
- 6** Properly place all wires and wire nut connections into the fixture base, then mount the fixture base back onto the mounting plate and secure it by installing the Allen screws (reversal of step 1).
- 7** The arms may be adjusted. To achieve this, loosen (**do not remove**) the set screw on both ends of the respective arm using the provided Allen wrench, adjust the arm to the desired position, and re-tighten the set screws to secure in place.

SAVE THESE INSTRUCTIONS!



TECH LIGHTING®

7400 Linder Ave, Skokie, IL 60077
847.410.4400

www.techlighting.com

© 2018 Tech Lighting, L.L.C. All rights reserved. The "Tech Lighting" graphic is a registered trademark of Tech Lighting, L.L.C. Tech Lighting reserves the right to change specifications for product improvements without notification.

A Generation Brands Company