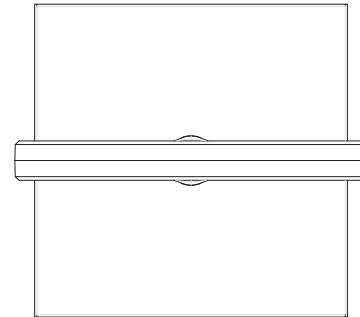


# Spectica Wall

700WSSPCT

1.0



## GENERAL PRODUCT INFORMATION:

These fixtures are intended to be installed utilizing NEC compliant junction boxes.

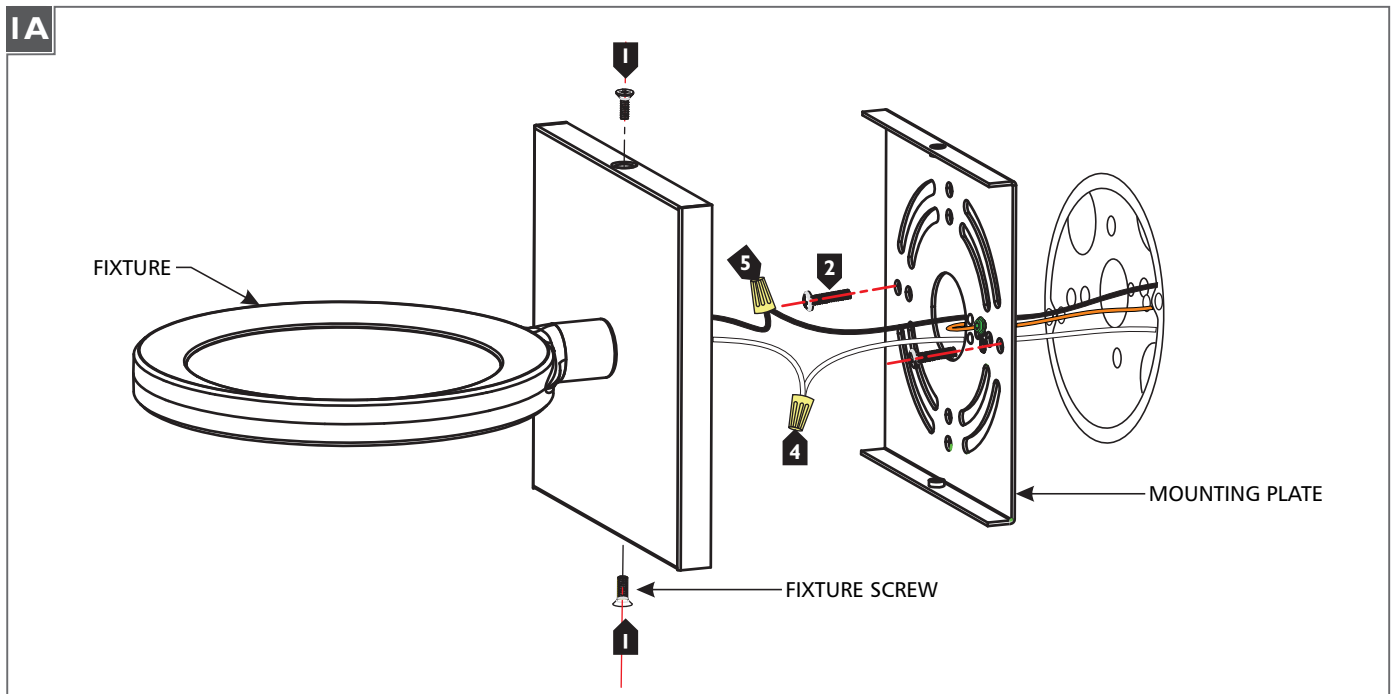


This product is suitable for damp locations.

Incandescent lamps may be dimmed with a standard incandescent dimmer. LED lamps may be dimmed with a LED dimmer. Consult lamp manufacturer for additional information.

**CAUTION - RISK OF FIRE**  
 This product must be installed in accordance with the applicable installation code by a person familiar with the construction and operation of the product and the hazards involved.  
 Use minimum 90°C supply conductors.

## Install the Fixture



- 1** Remove the fixture screws located on the top and bottom of the fixture base using a screw driver, then remove the mounting plate from the fixture base.
- 2** Install the mounting plate onto the electrical box with the two #8-32 screws provided.
- 3** Connect the fixture to suitable ground in accordance with local electrical codes.
- 4** Connect the white fixture wire to the neutral power line wire with a wire nut.
- 5** Connect the black fixture wire to the hot power line wire with a wire nut.
- 6** Properly place all wires and wire nut connections into the electrical box, mount the fixture back onto the mounting plate, and reinstall fixture screws (reversal of step 1).

**SAVE THESE INSTRUCTIONS!**

**TECH LIGHTING®**  
 7400 Linder Ave, Skokie, IL 60077  
 847.410.4400  
[www.techlighting.com](http://www.techlighting.com)

© 2018 Tech Lighting, L.L.C. All rights reserved. The "Tech Lighting" graphic is a registered trademark of Tech Lighting, L.L.C. Tech Lighting reserves the right to change specifications for product improvements without notification.  
 A Generation Brands Company