

# Revel Wall (Compact Fluorescent)

700WSRVL\_-CF 1.1



## WALL COLLECTION

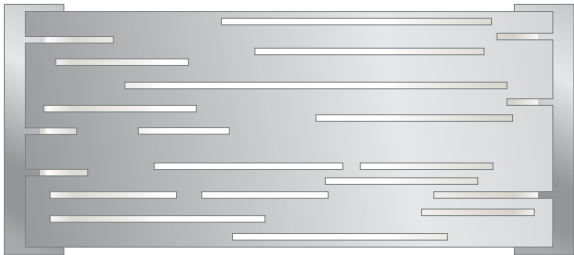
### GENERAL PRODUCT INFORMATION:



This product is suitable for damp locations.

This product can mount to either a 4" square electrical box with round plaster ring or an octagon electrical box.

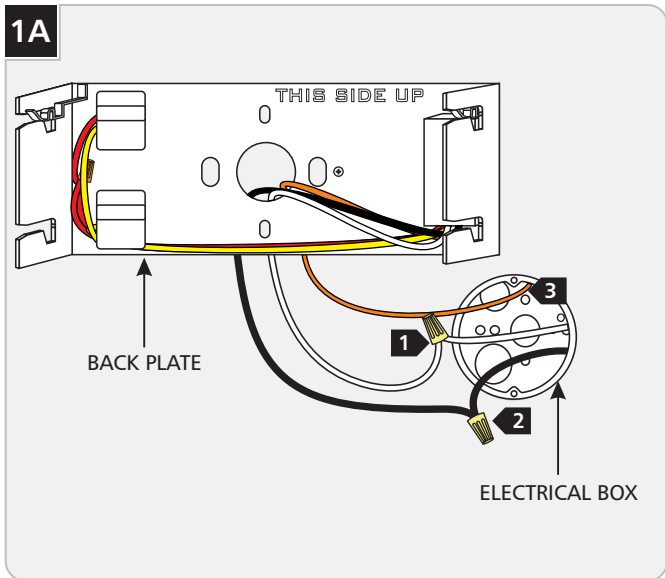
**NOTE:** If mounting vertically, skip to section 3.



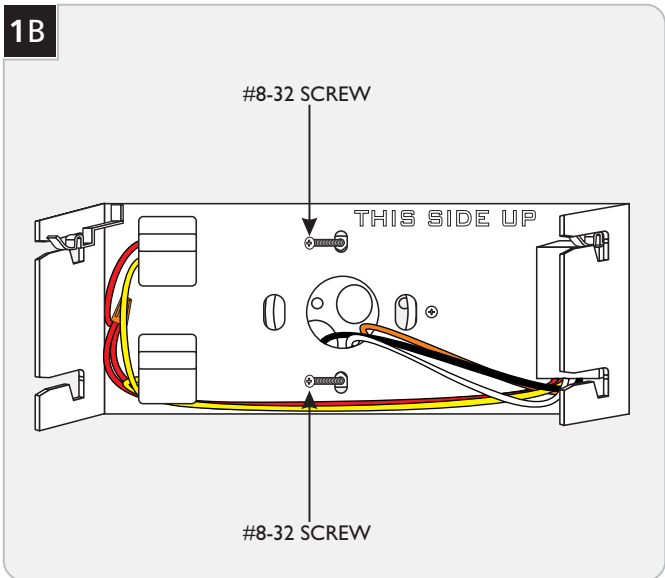
**CAUTION—RISK OF FIRE**  
 This product requires installation by a qualified electrician. Before installing be sure to read all instructions and DISCONNECT POWER TO THE ELECTRICAL BOX.

## Back Plate Installation (Horizontal)

**NOTE:** If plaster ring holes are horizontal or mounting onto a octagon electric box, skip to section 2.



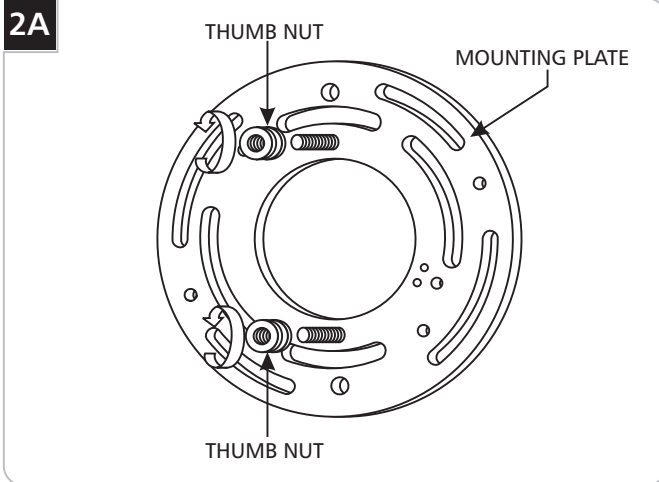
- 1** Connect the white fixture wire to the neutral power line wire with a wire nut.
- 2** Connect the black fixture wire to the hot power line wire with a wire nut.
- 3** Connect the fixture to a suitable ground in accordance local electrical codes.



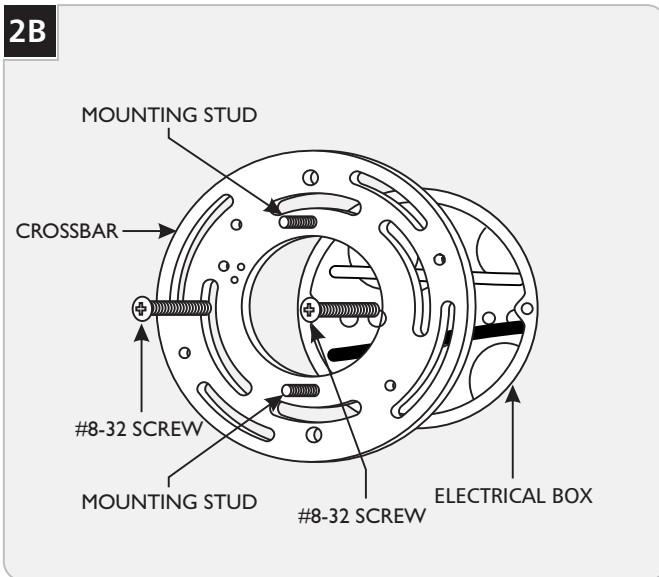
- 4** Properly place all wires and wire nut connections into the electrical box.
- 5** Level the mounting plate and secure it to the electrical box with the two #8-32 screws.

Skip to section 5

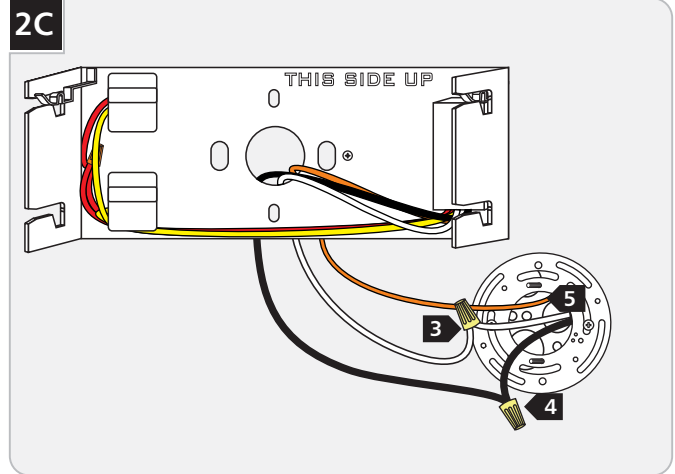
# Back Plate Installation (Horizontal)



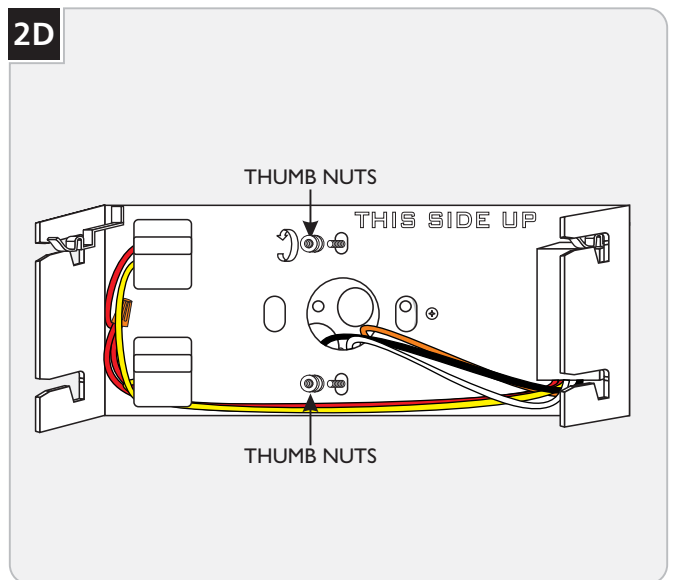
- 1 Unscrew and remove the two thumb nuts from the mounting plate.



- 2 Align the two mounting studs vertically and mount the crossbar to the electrical box with the two #8-32 screws provided.



- 3 Connect the white fixture wire to the neutral power line wire with a wire nut.
- 4 Connect the black fixture wire to the hot power line wire with a wire nut.
- 5 Connect the fixture to a suitable ground in accordance local electrical codes.



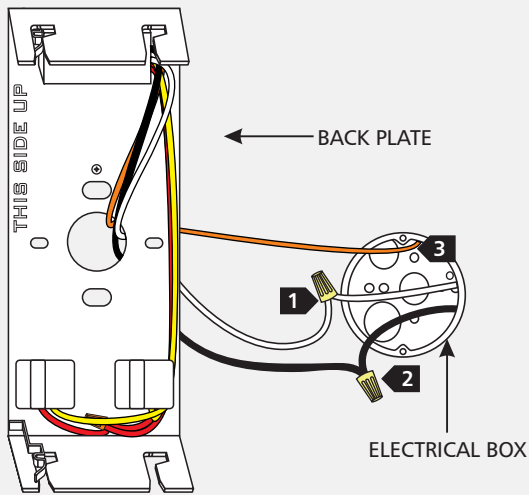
- 5 Properly place all wires and wire nut connections into the electrical box.
- 6 Place the back plate onto the mounting plate and secure it tightly by reinstalling the thumb nuts.

Skip to section 5

## Back Plate Installation (Vertical)

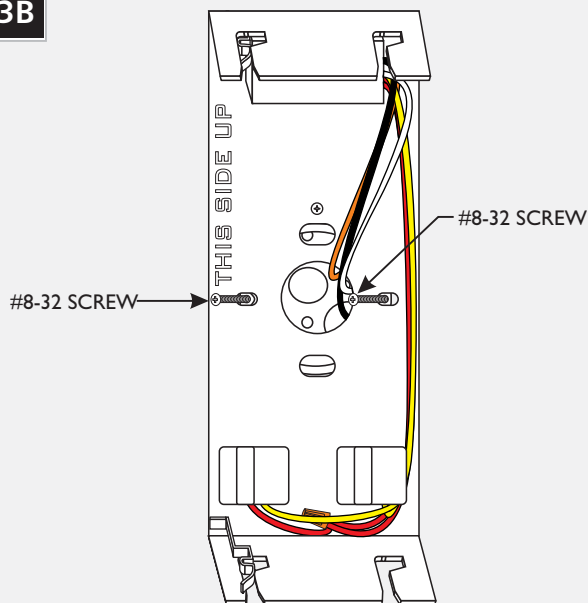
**NOTE:** If plaster ring holes are vertical or mounting onto a octagon electric box, skip to section 4.

**3A**



- 1** Connect the white fixture wire to the neutral power line wire with a wire nut.
- 2** Connect the black fixture wire to the hot power line wire with a wire nut.
- 3** Connect the fixture to a suitable ground in accordance with local electrical codes.

**3B**

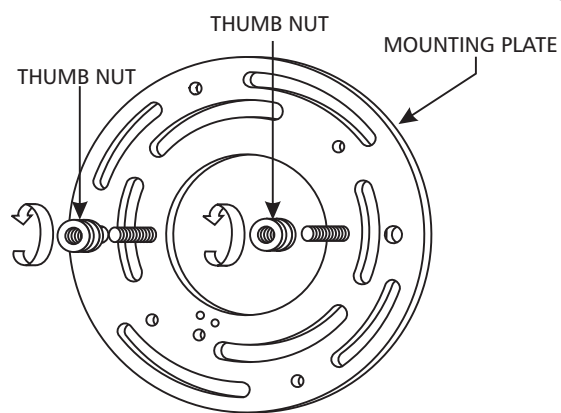


- 4** Properly place all wires and wire nut connections into the electrical box.
- 5** Level the mounting plate and secure it to the electrical box with the two #8-32 screws.

Skip to section 5

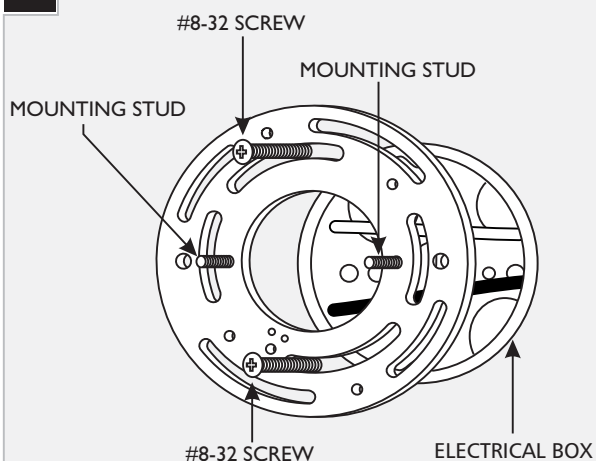
## Back Plate Installation (Vertical)

**4A**



- 1** Unscrew and remove the two thumb nuts from the mounting plate.

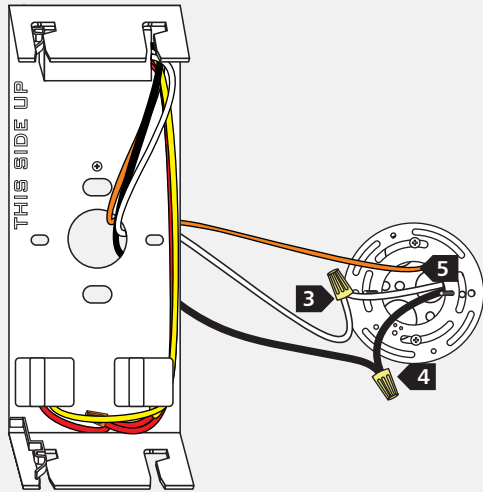
**4B**



- 2** Align the two mounting studs horizontally and mount the crossbar to the electrical box with the two #8-32 screws provided.

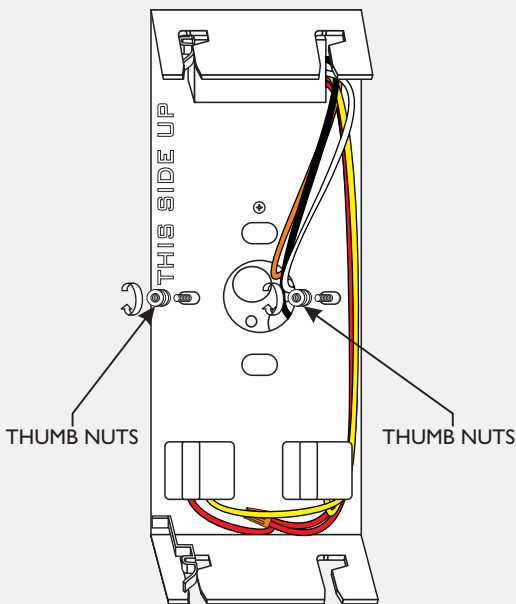
## Install the Lamp and Shade Assembly

4C



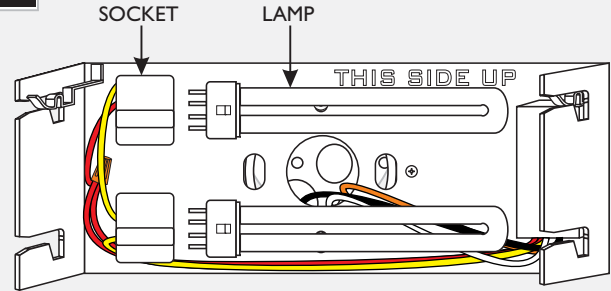
- 3 Connect the white fixture wire to the neutral power line wire with a wire nut.
- 4 Connect the black fixture wire to the hot power line wire with a wire nut.
- 5 Connect the fixture to a suitable ground in accordance with local electrical codes.

4D



- 6 Properly place all wires and wire nut connections into the electrical box.
- 7 Place the back plate onto the mounting plate and secure it tightly by reinstalling the thumb nuts.

5A

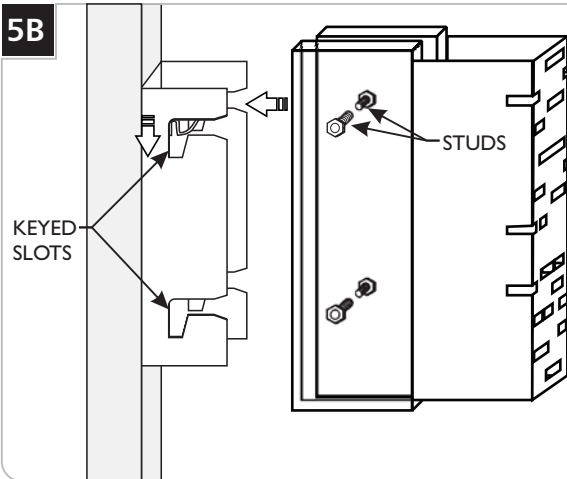


MAX 13 Watt 2GX7 Base Twin Tube Compact Fluorescent Lamp.



- 1 Push the lamp base into the socket.

5B



- 2 Line up the studs on the shade assembly to the keyed slots on the back plate.
- 3 Slide the assembly onto the back plate and follow the keyed slot until it is firmly in place.

**SAVE THESE INSTRUCTIONS!**



**TECH LIGHTING®**

7400 Linder Ave, Skokie, IL 60077

847.410.4400

[www.techlighting.com](http://www.techlighting.com)

© 2012 Tech Lighting, L.L.C. All rights reserved. The "Tech Lighting" graphic is a registered trademark of Tech Lighting, L.L.C. Tech Lighting reserves the right to change specifications for product improvements without notification.

A Generation Brands Company