

Jayden Wall

700WSJDN_

1.0



WALL COLLECTION

GENERAL PRODUCT INFORMATION:

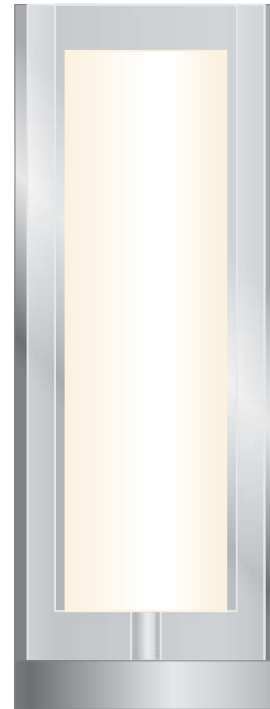


This product is suitable for damp locations.

This product can mount either to a 4" square electrical box with a round plaster ring or an octagon electrical box.

This product can be dimmed with a standard incandescent dimmer.

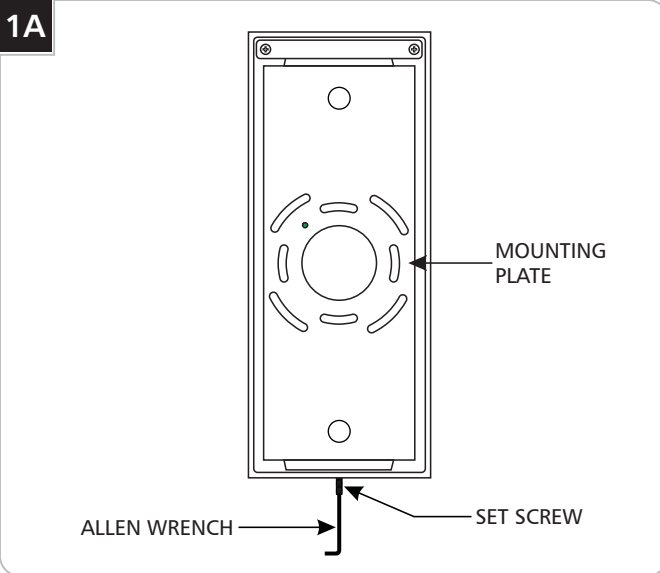
This instruction shows a typical installation.



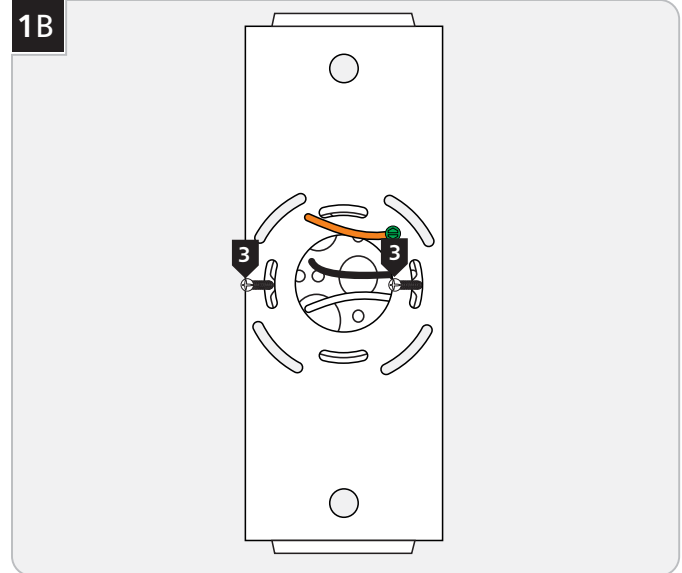
CAUTION—RISK OF FIRE

This product requires installation by a qualified electrician. Before installing be sure to read all instructions and DISCONNECT POWER TO THE ELECTRICAL BOX.

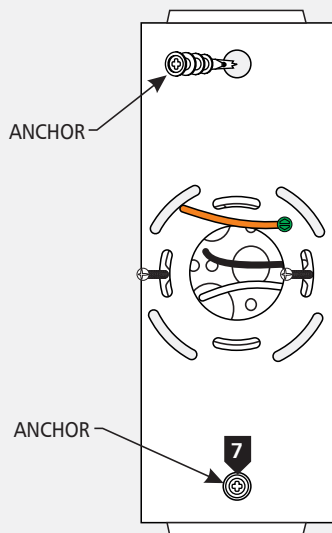
Install the Fixture



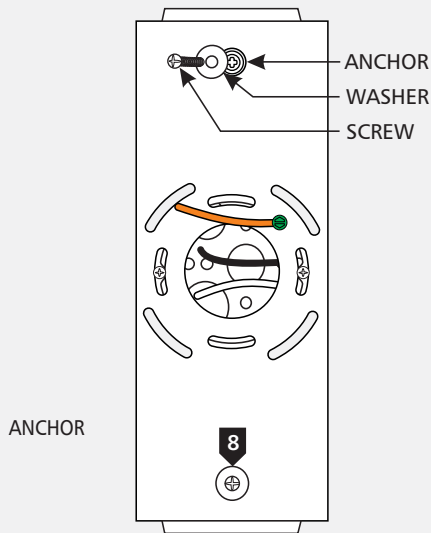
- 1 With the Allen wrench provided, back out (do not fully remove) the set screw at the base of the fixture.
- 2 Remove the mounting plate from the back of the fixture.



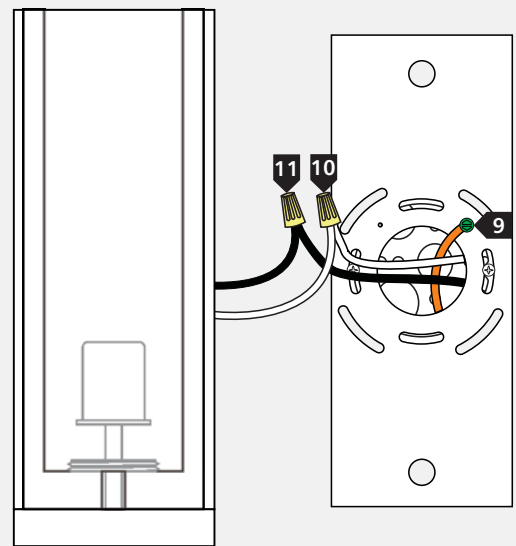
- 3 Level the mounting plate and secure it to the electrical box with the two #8-32 screws provided.

1C

- 4** Verify that the mounting plate is level before continuing.
- 5** Line an anchor tip with the center of an anchor hole, and push the anchor into the wall up to the threads.
- 6** Screw the anchor in the rest of the way with a Phillips-head screwdriver.
- 7** Repeat for the other anchor hole.

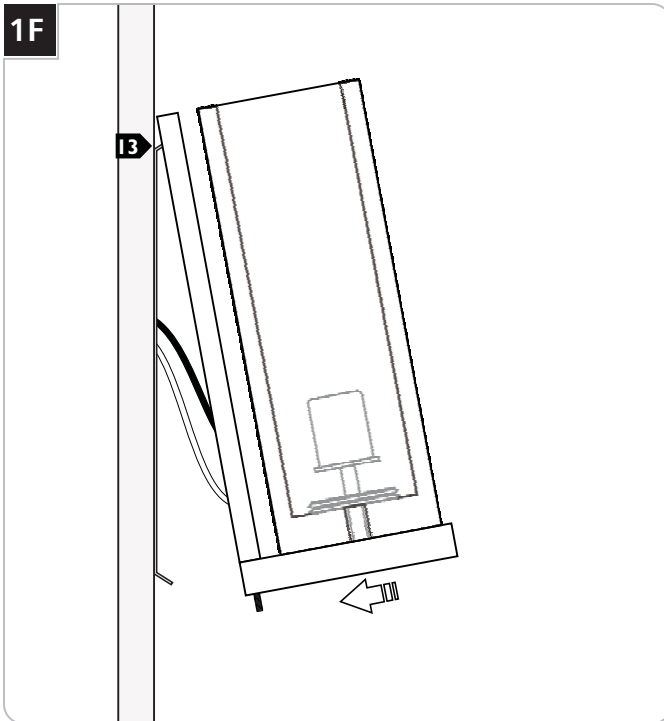
1D

- 8** Slide a #8 screw through a washer, and screw it into an anchor to secure the fixture base to the wall. Repeat for the other anchor.

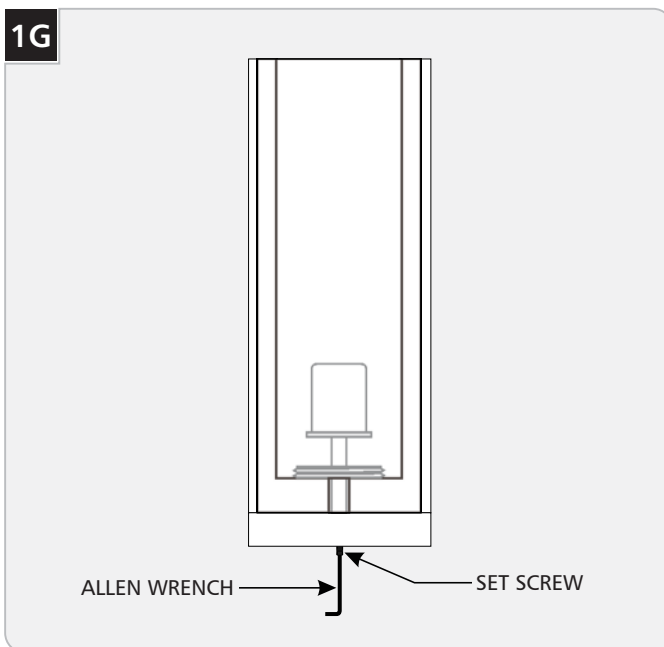
1E

- 9** Connect the mounting plate ground wire to a suitable ground according to local electrical codes.
- 10** Connect the white fixture wire to the neutral power line wire with a wire nut.
- 11** Connect the black fixture wire to the hot power line wire with a wire nut.

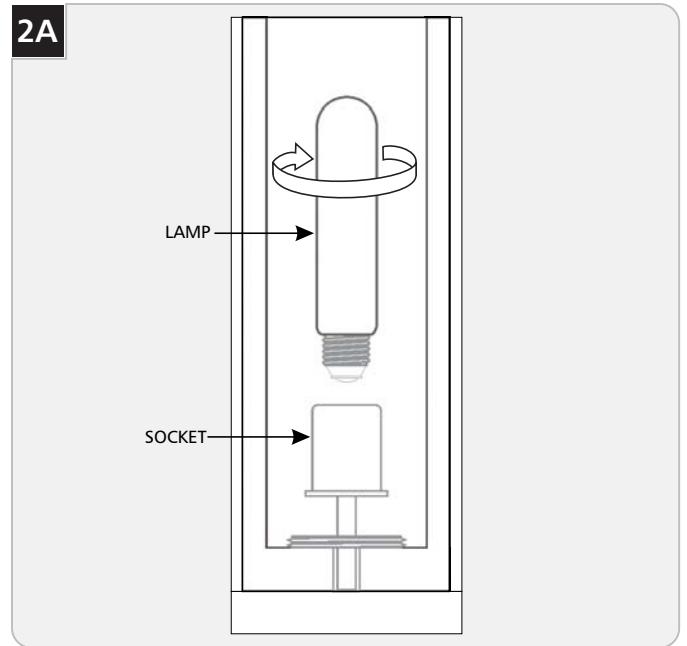
Install the Lamp and Diffuser



- 12** Properly place all wires and wire nut connections into the electrical box.
- 13** Hook the top of the fixture to the top of the mounting plate and swing the bottom of the fixture toward the plate until it is flush with the wall.



- 14** With the allen wrench, tighten the set screw at the bottom of the fixture to secure it to the mounting plate.



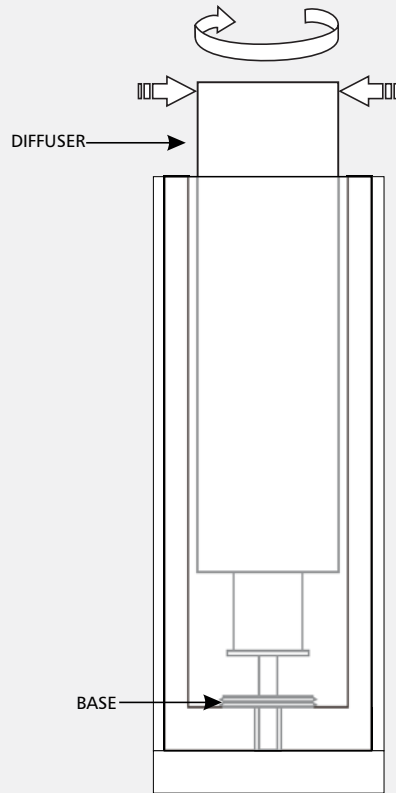
CAUTION: To reduce the risk of a burn or electric shock during relamping, disconnect the power to the fixture.

Use **MAX 60 Watt Type T10 Medium Base Lamp.**



- 1** Screw the lamp into the socket.

2B



CAUTION: When installing the diffuser, apply even pressure on each side of the diffuser by using both hands to screw it in place. **DO NOT OVER TIGHTEN** the diffuser. This may break the glass resulting in injury.

2 Gently screw the diffuser onto it's base .

NOTE: It is not necessary to remove the diffuser when replacing the lamp. If necessary, the diffuser may be removed to clean inside the outer glass.

SAVE THESE INSTRUCTIONS!



TECH LIGHTING®

7400 Linder Ave, Skokie, IL 60077

847.410.4400

www.techlighting.com

© 2012 Tech Lighting, L.L.C. All rights reserved. The "Tech Lighting" graphic is a registered trademark of Tech Lighting, L.L.C. Tech Lighting reserves the right to change specifications for product improvements without notification.

A Generation Brands Company