

Hudson Wall

700WSHUD2_

1.0



GENERAL PRODUCT INFORMATION:



This product can mount to either a 4" square electrical box with round plaster ring or an octagon electrical box.

This product can be mounted vertically or horizontally.

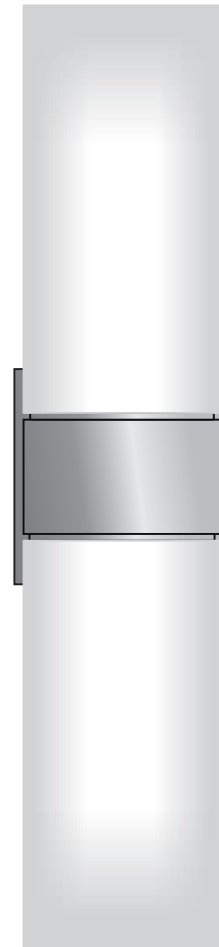
This product is suitable for indoor damp locations.

This product can be dimmed with a standard incandescent dimmer.

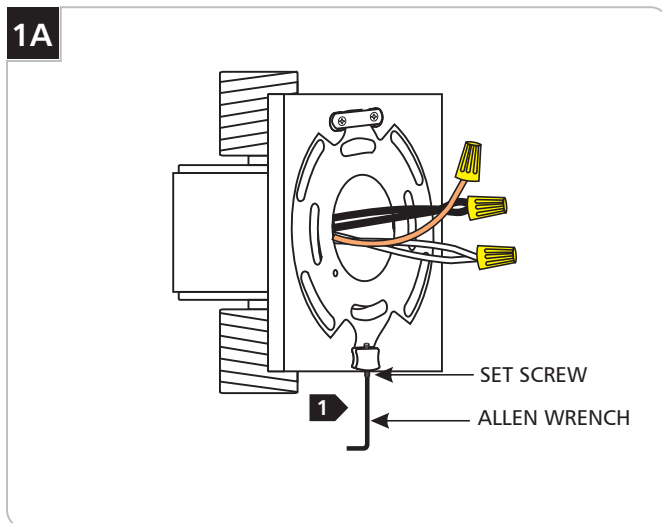
This instruction shows a typical installation.

CAUTION - RISK OF FIRE

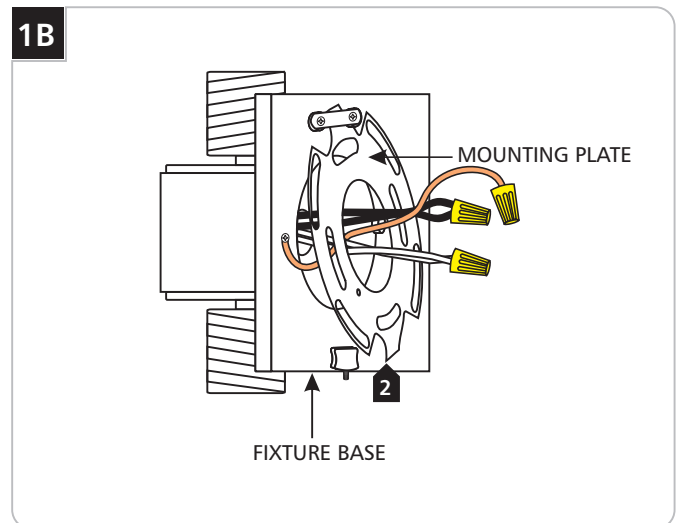
This product requires installation by a qualified electrician. Before installing be sure to read all instructions and **TURN THE POWER TO THE ELECTRICAL BOX OFF.**



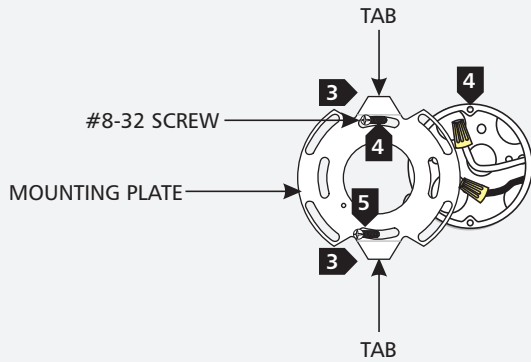
Install the Fixture



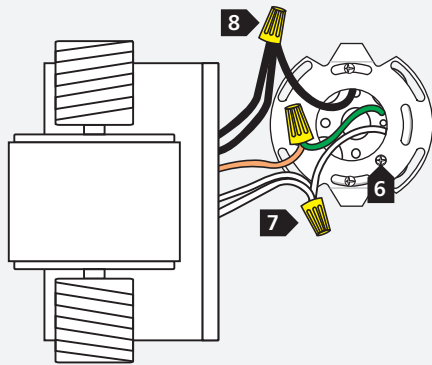
1 With the provided Allen wrench, unscrew (**Do Not Remove**) the set screw on the bottom of the fixture



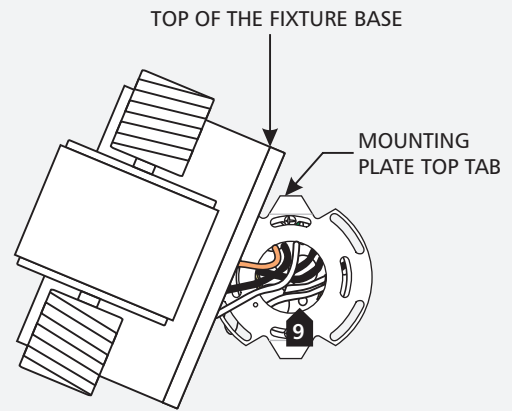
2 Pull out the mounting plate from the fixture base.

1C

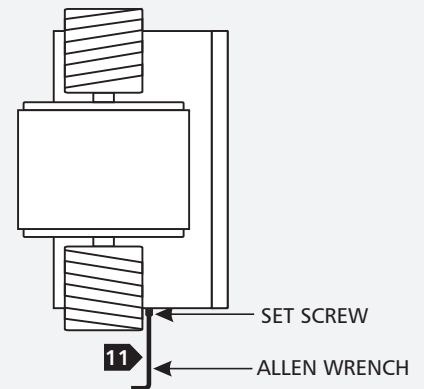
- 3** Make sure the two tabs on the mounting plate are positioned at the top and bottom of the plate for vertical mounting; at the left and right for horizontal mounting.
- 4** Line up two mounting plate slots with the two electrical box holes.
- 5** Level the mounting plate and secure it to the electrical box with the two #8-32 screws provided.

1D

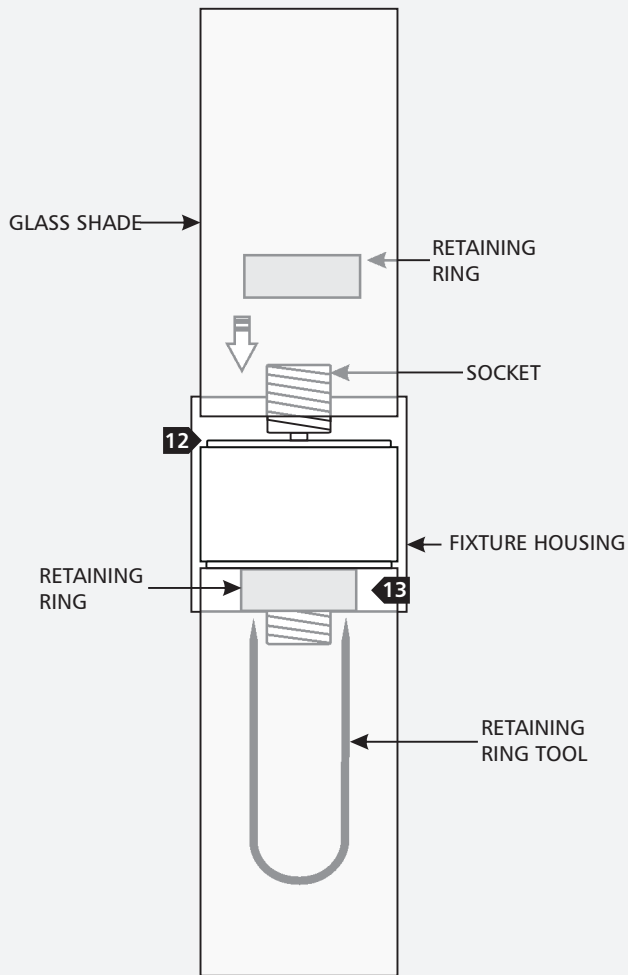
- 6** Ground the fixture in accordance with local electrical codes.
- 7** Connect the two white fixture wires to the neutral power line wire with a wire nut.
- 8** Connect the two black fixture wires to the hot power line wire with a wire nut.

1E

- 9** Place all wires and wire nut connections properly inside the electrical box.
- 10** Hook the top of the fixture base over the mounting plate top tab.

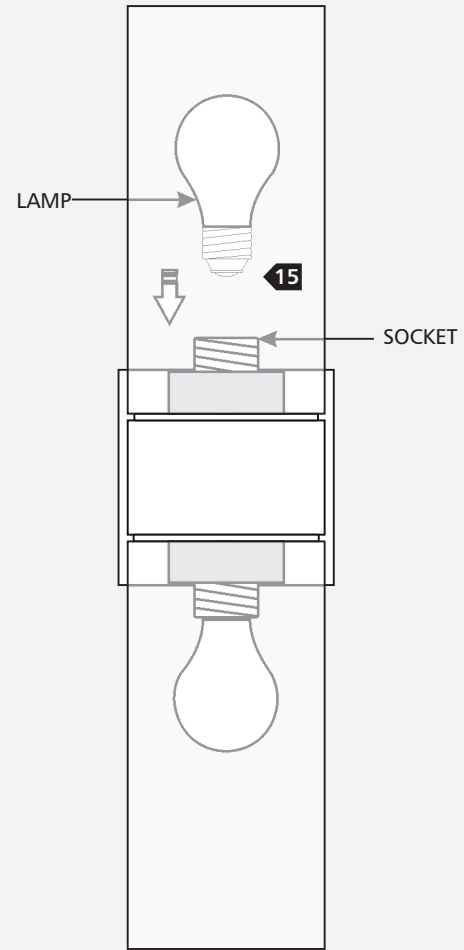
1F

- 11** Line up the fixture on the wall and then secure it to the mounting plate by tightening the set screw at the base of the fixture.

1G

- 12** Position the glass shade against the fixture housing.
- 13** Secure the glass shade by screwing the retaining ring onto the lamp socket using the retaining ring tool.
- 14** Repeat for the other side.

NOTE: Use only the retaining ring tool to tighten or loosen the retaining ring. Tightening or loosening the retaining ring by any other method can result in injury, or damage to the fixture.

1H

Use **MAX 120 Volt, 75 Watt A19** Medium Base Lamp, For Each Socket.



- 15** Screw the lamp completely into the socket, and repeat for the other side.

SAVE THESE INSTRUCTIONS!



7400 Linder Ave, Skokie, IL 60077

847.410.4400

www.techlighting.com

© 2008 Tech Lighting, L.L.C. All rights reserved. The "Tech Lighting" graphic is a registered trademark of Tech Lighting, L.L.C. Tech Lighting reserves the right to change specifications for product improvements without notification.

A Generation Brands Company