

Dobson Wall (LED)

700WSDBS_-LED 1.0



WALL COLLECTION

GENERAL PRODUCT INFORMATION:



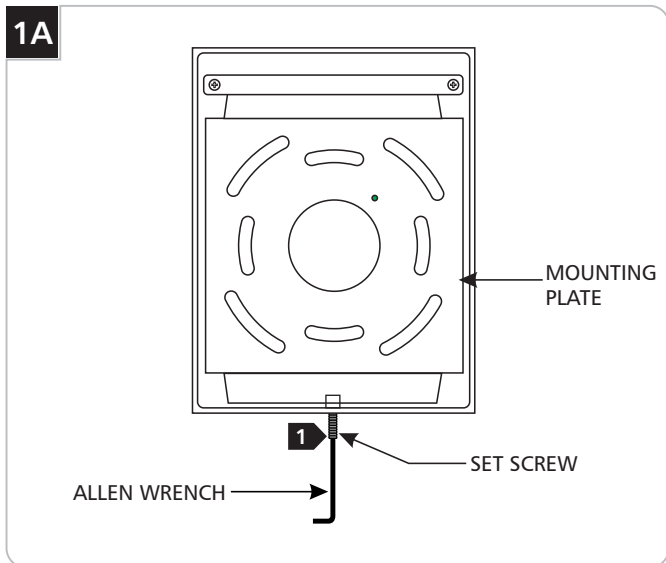
Mount to either a 4" square electrical box with round plaster ring or an octagonal electrical box.

Suitable for damp locations.

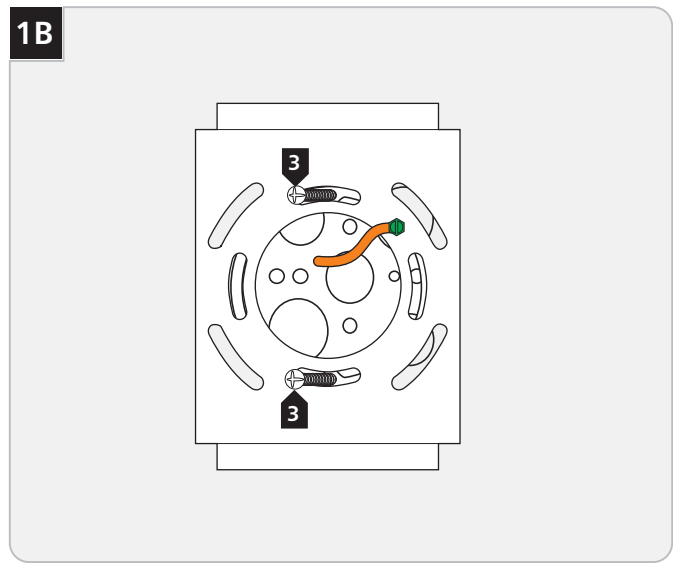
CAUTION - RISK OF FIRE
 This product must be installed in accordance with the applicable installation code by a person familiar with the construction and operation of the product and the hazards involved.
 Use minimum 90°C supply conductors.



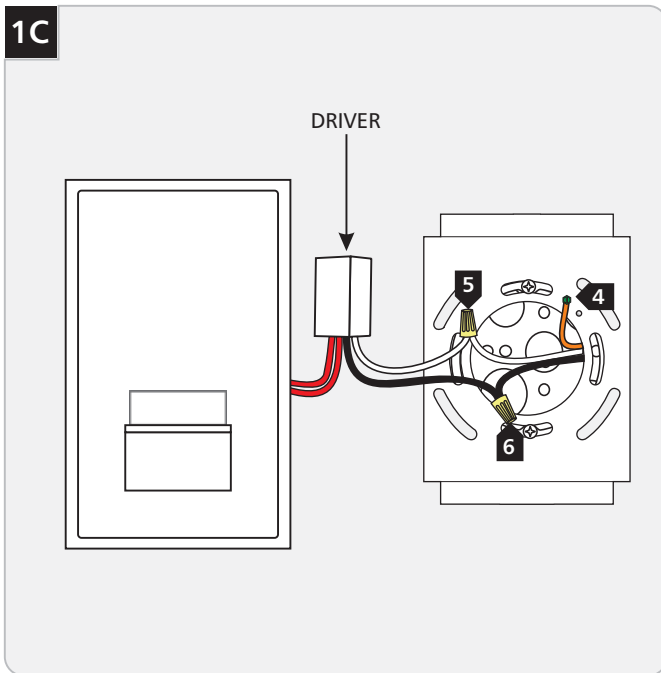
Install the Fixture



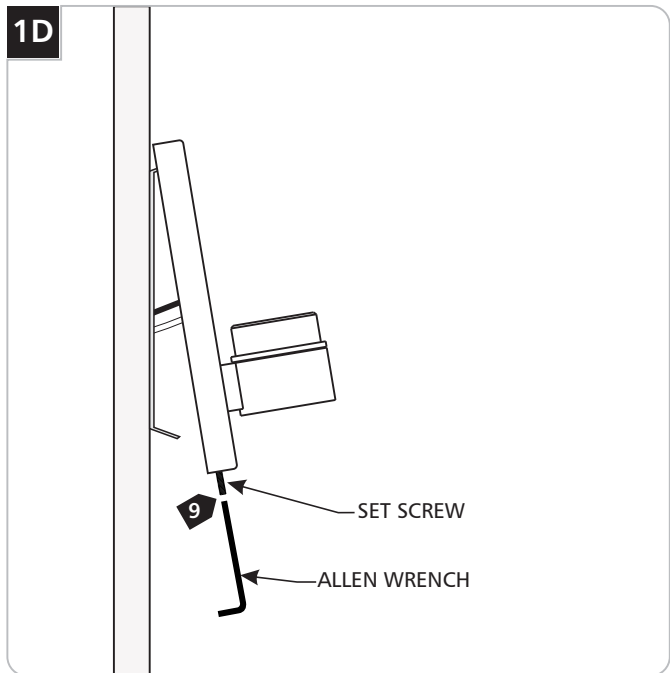
- 1** With the Allen wrench provided, back out (do not fully remove) the set screw at the base of the fixture.
- 2** Remove the mounting plate from the back of the fixture.



- 3** Attach the mounting plate to the electrical box using the two provided #8-32 screws.

1C

- 4** Connect the backplate wire to a suitable ground in accordance with local electrical codes.
- 5** Connect the white driver wire to the neutral power line.
- 6** Connect the black driver wire to the hot power line.

1D

- 7** Properly place the driver, all wires, and wire nut connections into the electrical box.
- 8** Hook the top of the fixture to the top of the mounting plate and swing the bottom of the fixture toward the plate until it is flush with the wall.
- 9** Tighten the set screw at the bottom of the fixture.

SAVE THESE INSTRUCTIONS!



TECH LIGHTING®

7400 Linder Ave, Skokie, IL 60077

847.410.4400

www.techlighting.com

© 2014 Tech Lighting, L.L.C. All rights reserved. The "Tech Lighting" graphic is a registered trademark of Tech Lighting, L.L.C. Tech Lighting reserves the right to change specifications for product improvements without notification.

A Generation Brands Company