

Chelsea Wall (Compact Fluorescent)

700WSCHL_-CF 1.0



WALL COLLECTION

GENERAL PRODUCT INFORMATION:



This product is suitable for damp locations.

This product can mount either to a 4" square electrical box with a round plaster ring or an octagon electrical box.



This instruction shows a typical installation.

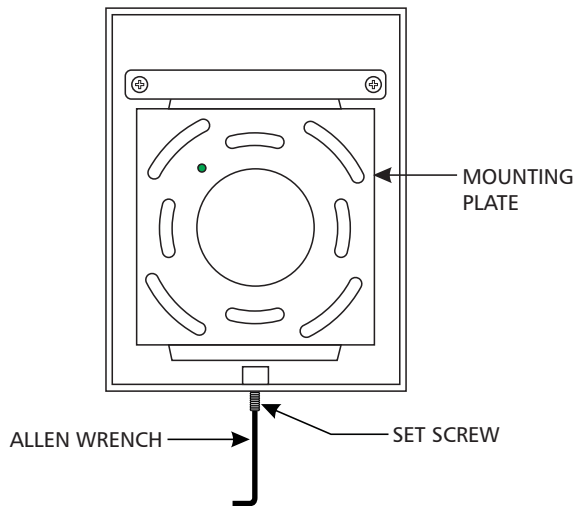


CAUTION—RISK OF FIRE

This product requires installation by a qualified electrician. Before installing be sure to read all instructions and DISCONNECT POWER TO THE ELECTRICAL BOX.

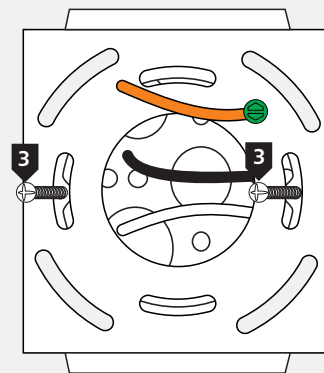
Install the Fixture

1A

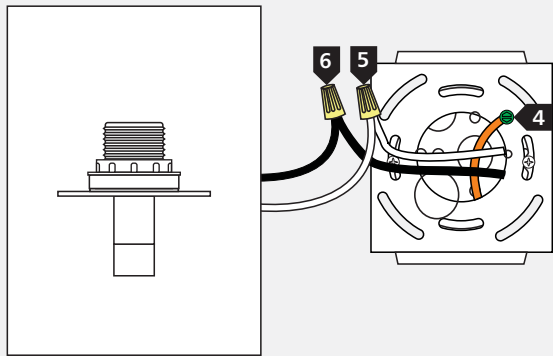


- 1 With the Allen wrench provided, back out (do not fully remove) the set screw at the base of the fixture.
- 2 Remove the mounting plate from the back of the fixture.

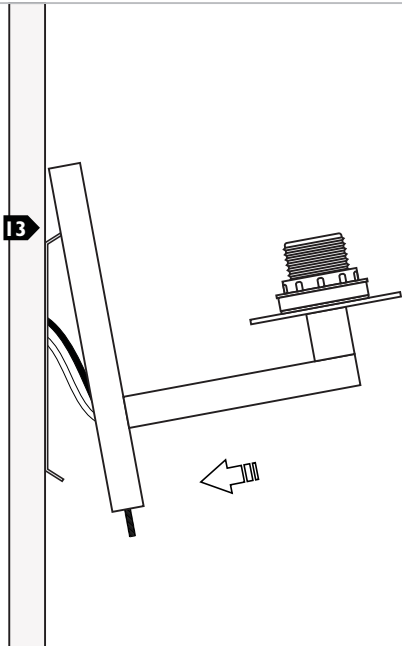
1B



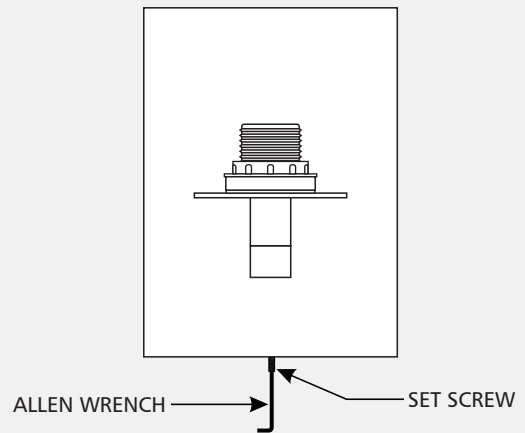
- 3 Level the mounting plate and secure it to the electrical box with the two #8-32 screws provided.

1C

- 4** Connect the mounting plate ground wire to a suitable ground according to local electrical codes.
- 5** Connect the white fixture wire to the neutral power line wire with a wire nut.
- 6** Connect the black fixture wire to the hot power line wire with a wire nut.

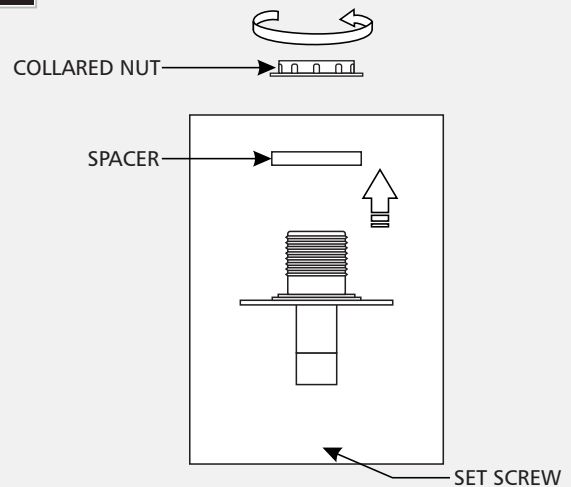
1D

- 7** Properly place all wires and wire nut connections into the electrical box.
- 8** Hook the top of the fixture to the top of the mounting plate and swing the bottom of the fixture toward the plate until it is flush with the wall.

1E

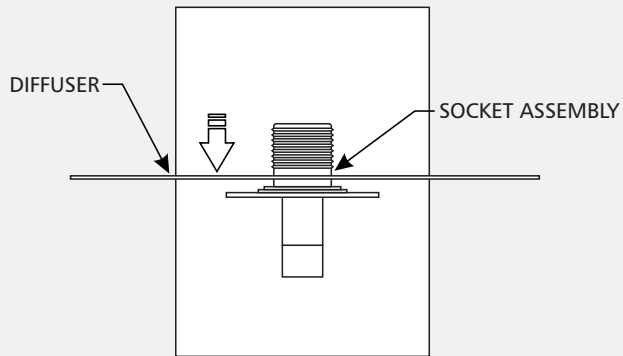
- 9** With the allen wrench, tighten the set screw at the bottom of the fixture to secure it to the mounting plate.

Install the Diffuser and Shade

2A

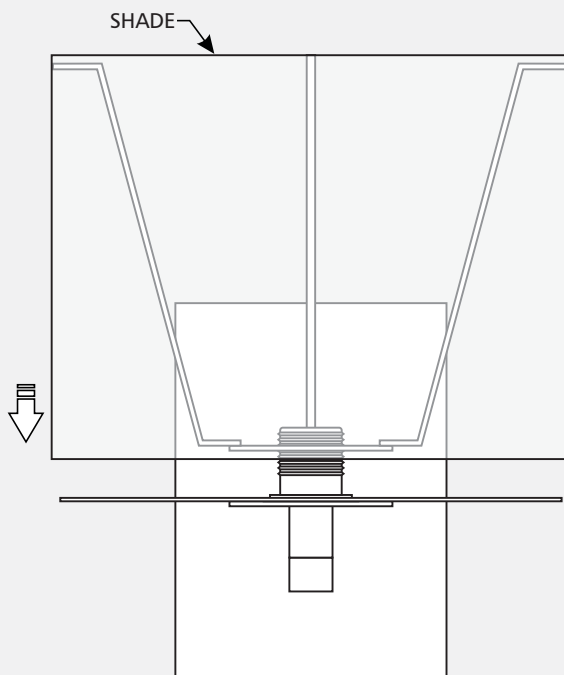
- 1** Unscrew the collared nut and remove both the collared nut and white spacer.

2B



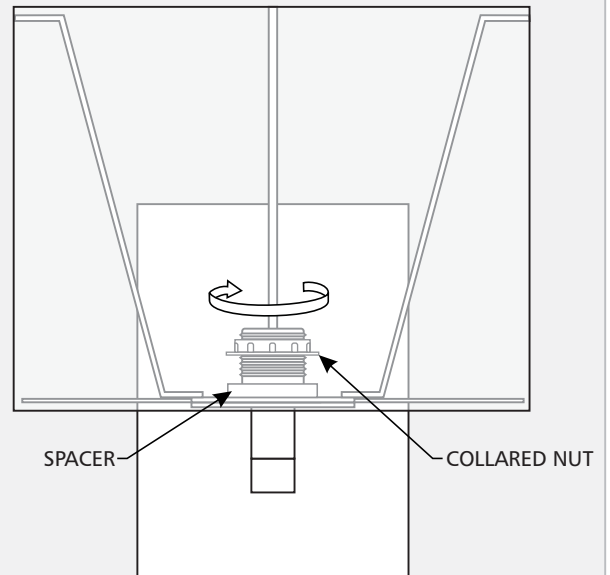
2 Gently place the diffuser onto the socket assembly.

2C



3 Gently place the shade onto the socket assembly and glass diffuser.

2D



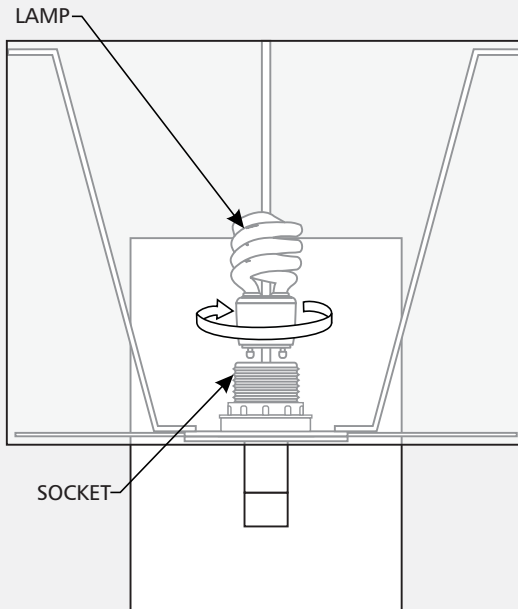
4 Replace the spacer onto to socket assembly.

Replace the collared nut onto the socket assembly and tighten it to secure the shade assembly.

NOTE: Do not over tighten the collared nut. Over tightening may break the glass and result in injury.

Install the Lamp

3A



CAUTION: To reduce the risk of a burn or electric shock during relamping, disconnect the power to the fixture.

Use **MAX** 120 Volt, **27 Watt** Type GU24 Base Self Ballasted Spiral Compact Fluorescent Lamps.



- 1 Push the lamp pins into the large portion of the socket slots and rotate it clockwise to secure it in place.

SAVE THESE INSTRUCTIONS!

Statement of Warranty

Tech Lighting warrants all products manufactured to be free from defects in material and workmanship under normal use for 3 years after the date of original purchase. This warranty only applies when components, including power supplies, have been provided by Tech Lighting.

Upon confirmation of a defect or failure, at our discretion we will repair or replace the item or will refund your purchase price if repair or replacement is not possible or practical. Our warranty covers only the product itself; we will assume no liability for labor costs, installation costs, or other losses.



7400 Linder Ave, Skokie, IL 60077
847.410.4400

www.techlighting.com

© 2012 Tech Lighting, L.L.C. All rights reserved. The "Tech Lighting" graphic is a registered trademark of Tech Lighting, L.L.C. Tech Lighting reserves the right to change specifications for product improvements without notification.
A Generation Brands Company