

# Wall MonoRail FreeJack Connector

700WMCHED\_ 1.6

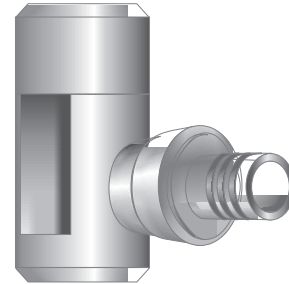


## GENERAL PRODUCT INFORMATION:

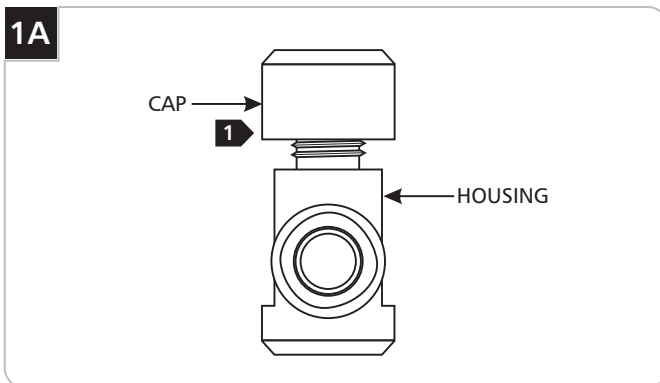


This product is suitable for indoor dry locations only.

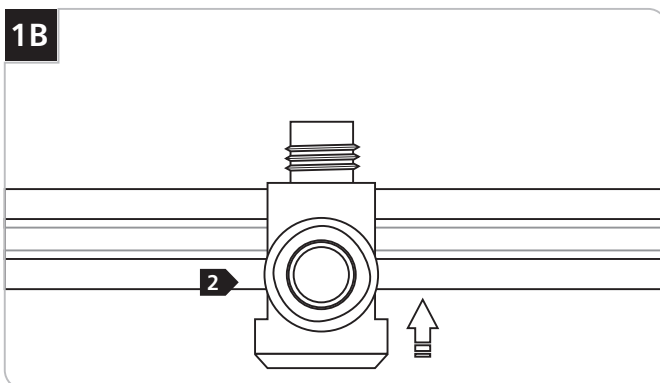
This product should be used with Tech Lighting Wall MonoRail system only.



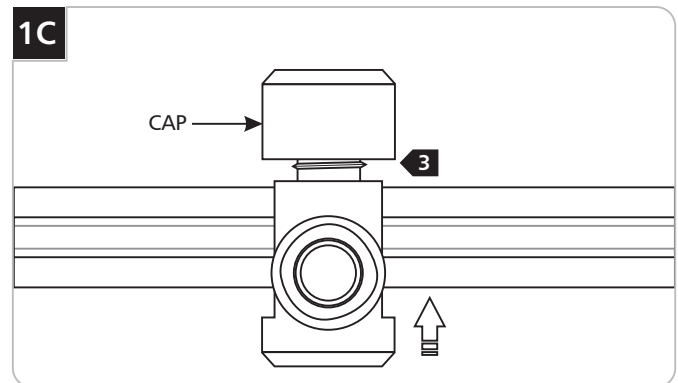
## Install the FreeJack Connector to Wall MonoRail



**1** Remove the cap from the housing.



**2** From bottom of the Monorail push the housing all the way onto the Monorail.

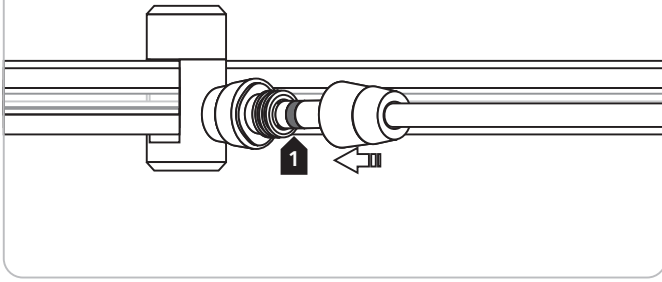


**3** Replace and tighten the cap to the housing.

**NOTE:** In case of cross threading, unscrew the cap from the housing and repeat step 3.

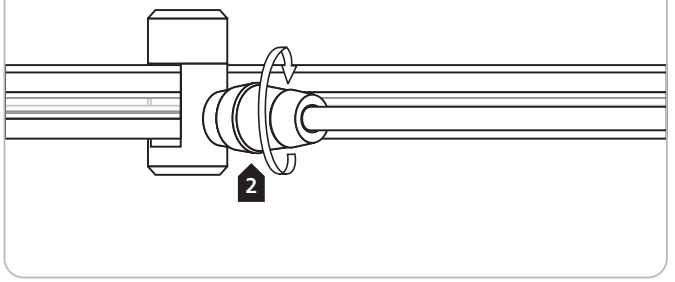
## Connect the Fixture

2A



- 1 Push the FreeJack fixture male connector all the way into the Wall MonoRail fixture connector.

2B



- 2 Tighten the FreeJack Fixture male connector.

**SAVE THESE INSTRUCTIONS!**



7400 Linder Ave, Skokie, IL 60077

847.410.4400

[www.techlighting.com](http://www.techlighting.com)

© 2008 Tech Lighting, L.L.C. All rights reserved. The "Tech Lighting" graphic is a registered trademark of Tech Lighting, L.L.C. Tech Lighting reserves the right to change specifications for product improvements without notification.  
A Generation Brands Company