

Two-Circuit T~trak™ Fixture Connector

700TT2CHED_ 1.0



GENERAL PRODUCT INFORMATION:



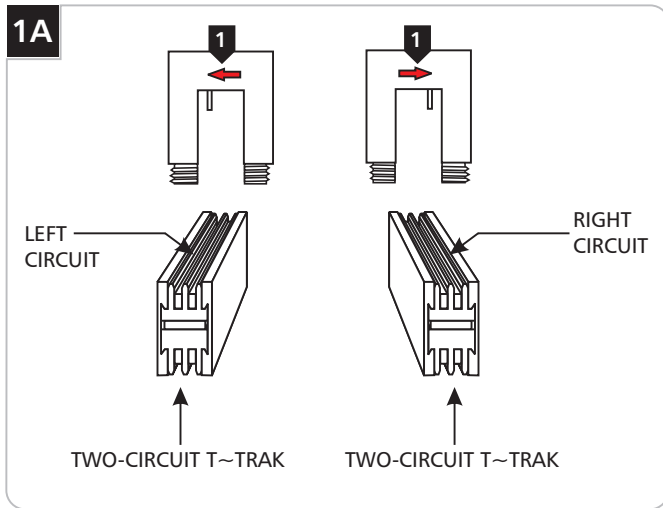
This product is suitable for indoor dry locations only.

This product is intended for use only with Tech Lighting Two-Circuit T~trak™ system.

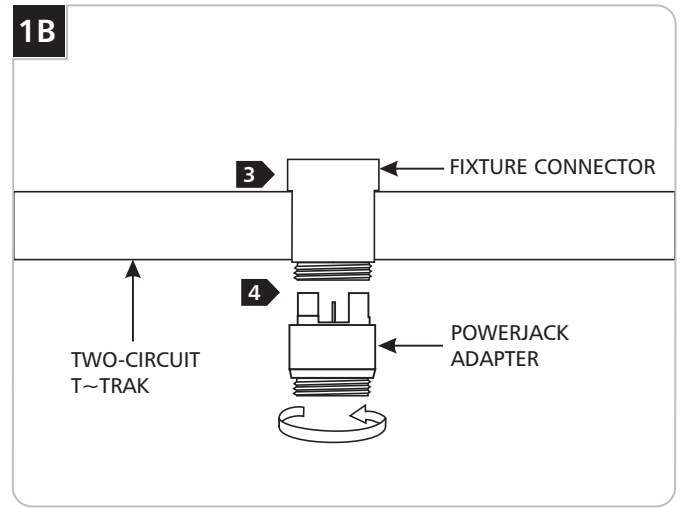


NOTE: Turn the power to Two-Circuit T~trak off before installing, removing, or relamping the fixture.

Install the Fixture Connector



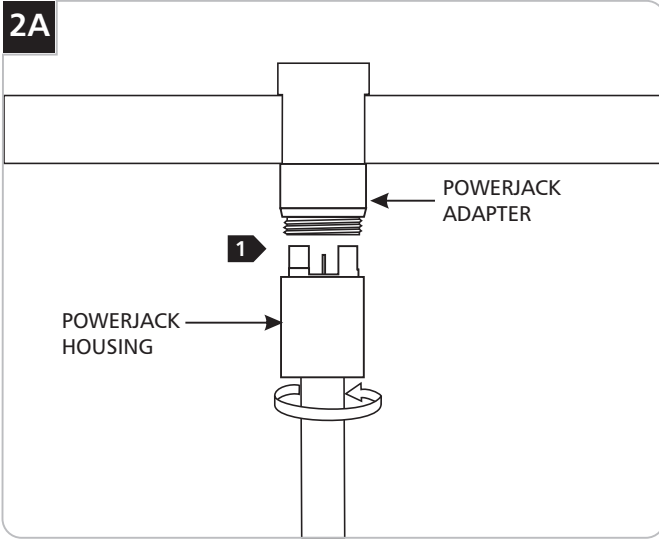
- 1** The arrow on the fixture connector indicates from which circuit the fixture will be energized.
- 2** Rotate the fixture connector to pick one of the circuits.



- 3** Install the fixture connector over the Two-Circuit T~trak.
- 4** Line up the PowerJack adapter with the fixture connector and screw them together. Make sure not to cross thread.

NOTE: In case of cross threading, unscrew the fixture connector from the PowerJack adapter and repeat steps 3 and .4

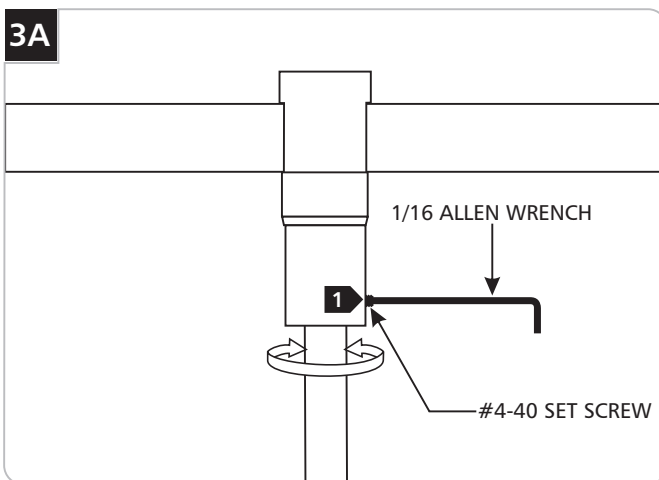
Install the Line Voltage Head Fixtures



- 1 Line up the PowerJack housing with the PowerJack adapter connector and screw them together. Make sure not to cross thread.

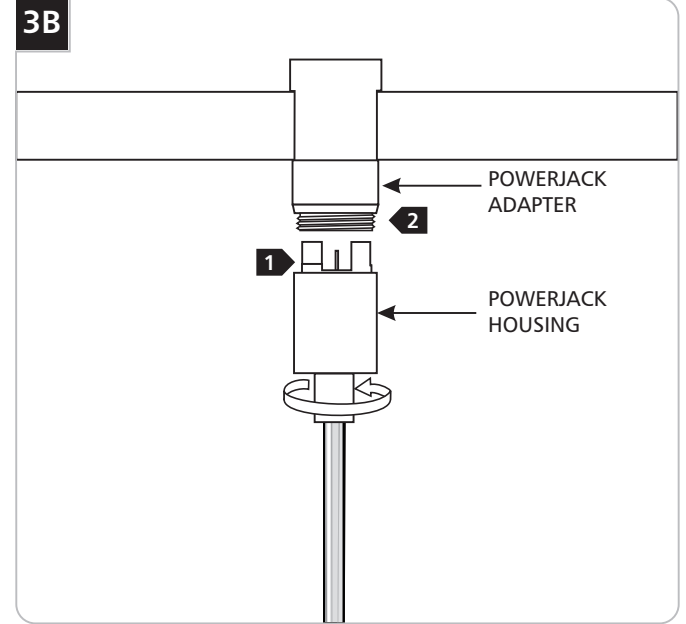
NOTE: In case of cross threading, unscrew the PowerJack housing from the PowerJack adapter and repeat step 1.

SPECIAL INSTALLATION: Locking the Fixture in Permanent Position (Optional)



- 1 To lock the fixture head in a permanent horizontal position, tighten the #4-40 set screw on the PowerJack housing with the provided 0.05 Allen wrench.

Install the Line Voltage Pendant Fixtures



- 1 Line up and mate the socket contacts with the fixture connector contacts.
- 2 Slide the PowerJack housing up and tighten it to the PowerJack adapter.

NOTE: In case of cross threading, unscrew the fixture connector from the PowerJack housing and repeat steps 1 and 2.

SAVE THESE INSTRUCTIONS!

T~trak™
a brand of **TECH LIGHTING®**

7400 Linder Ave.
Skokie, IL 60077
847.410.4400

www.ttraklighting.com