

Tenur Square Flush Mounts

700FMTNRS

1.0



CEILING COLLECTION

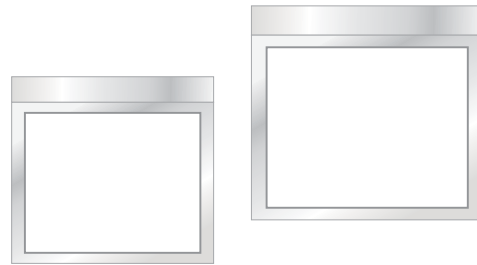
GENERAL PRODUCT INFORMATION:

These fixtures are intended to be installed utilizing NEC compliant junction boxes.

This product is suitable for damp locations.

This product may be dimmed with a low-voltage electronic dimmer.

This instruction shows a typical installation.

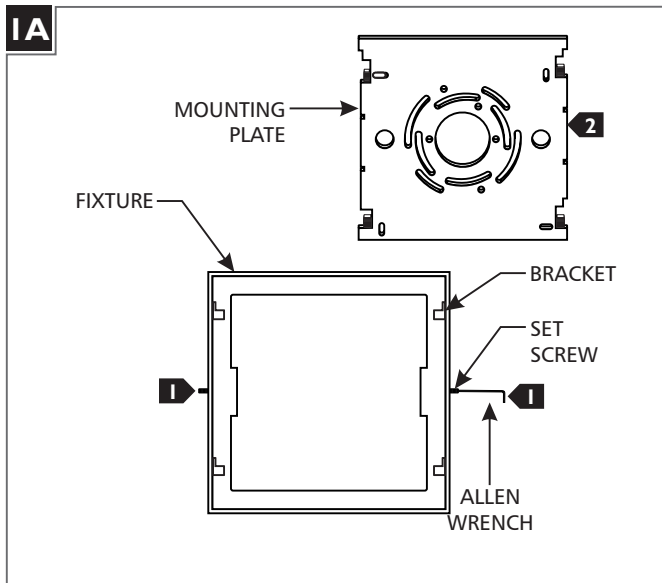


CAUTION - RISK OF FIRE

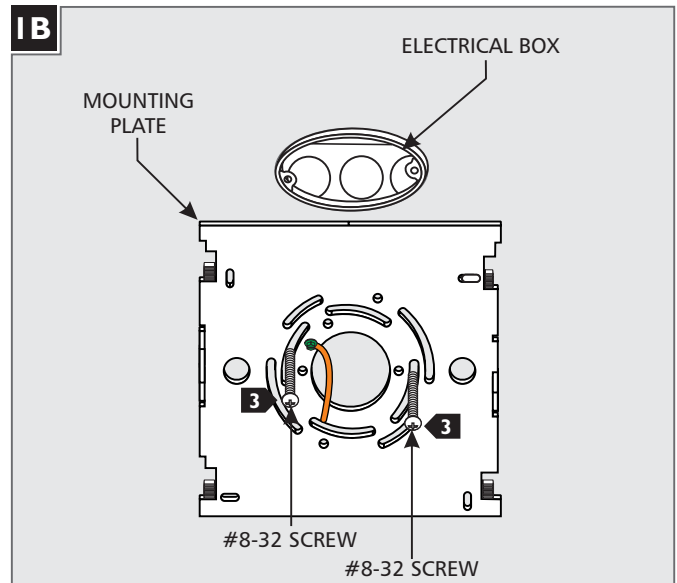
This product must be installed in accordance with the applicable installation code by a person familiar with the construction and operation of the product and the hazards involved.

Use minimum 90°C supply conductors.

Install the Mounting Plate

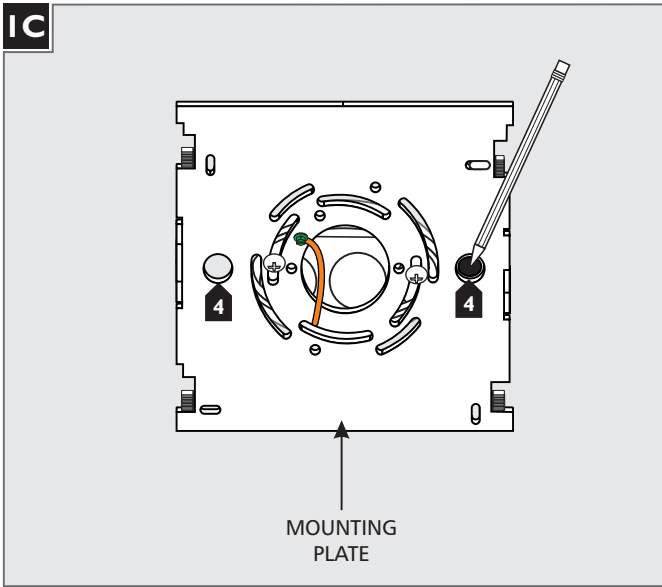


- 1** Loosen (do not remove) the two set screws on the fixture using the provided Allen wrench.
- 2** Separate and remove the mounting plate from the back of the fixture by sliding it out of the brackets.

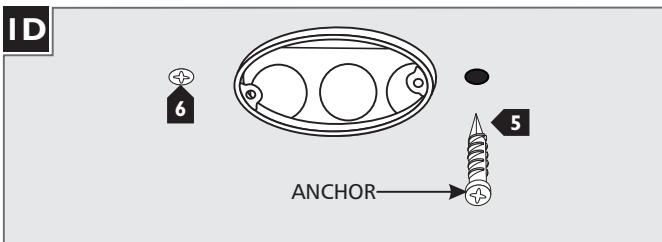


- 3** **For Tenur 9 Only:** Secure the mounting plate to the electrical box with the two #8-32 screws. **Skip to step 1F.**

For Tenur 12 Only: Temporarily install the mounting plate to the electrical box with the two #8-32 screws.



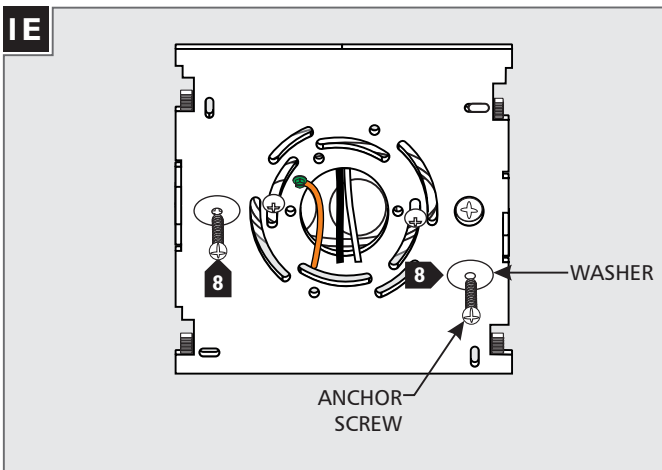
4 Mark the two anchor locations and uninstall the mounting plate from the electrical box.



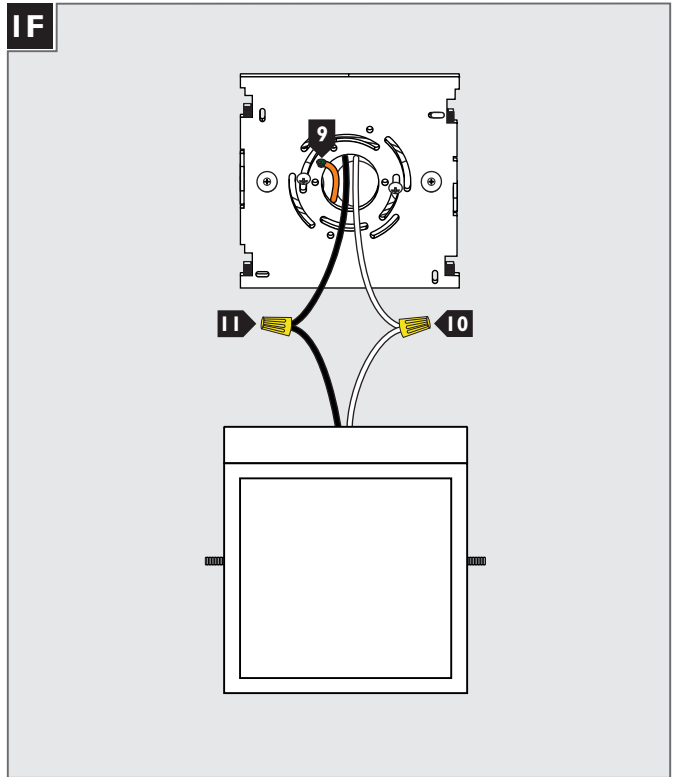
5 At the marked location, push the anchor in up to the threads.

6 Screw the anchor the rest of the way in with a screwdriver.

7 Reinstall the mounting plate to the electrical box.



8 Secure the mounting plate to the anchors with the washers and anchor screws.



9 Connect the fixture to a suitable ground in accordance with local electrical codes.

10 Connect the white driver wire to the neutral power line wire with a wire nut.

11 Connect the black driver wire to the hot power line wire with a wire nut.

12 Properly places all wires and wire nut connections into the electrical box and reinstall the fixture to the mounting plate (reversal of step 1A).

SAVE THESE INSTRUCTIONS!



7400 Linder Ave, Skokie, IL 60077
847.410.4400

www.techlighting.com

© 2018 Tech Lighting, L.L.C. All rights reserved. The "Tech Lighting" graphic is a registered trademark of Tech Lighting, L.L.C. Tech Lighting reserves the right to change specifications for product improvements without notification.
A Generation Brands Company