

# Tenur Round Flush Mounts

700FMTNRR

1.0



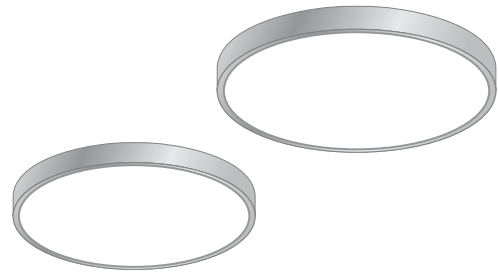
**GENERAL PRODUCT INFORMATION:**

These fixtures are intended to be installed utilizing NEC compliant junction boxes.

This product is suitable for damp locations.

This product may be dimmed with a low-voltage electronic dimmer.

This instruction shows a typical installation.

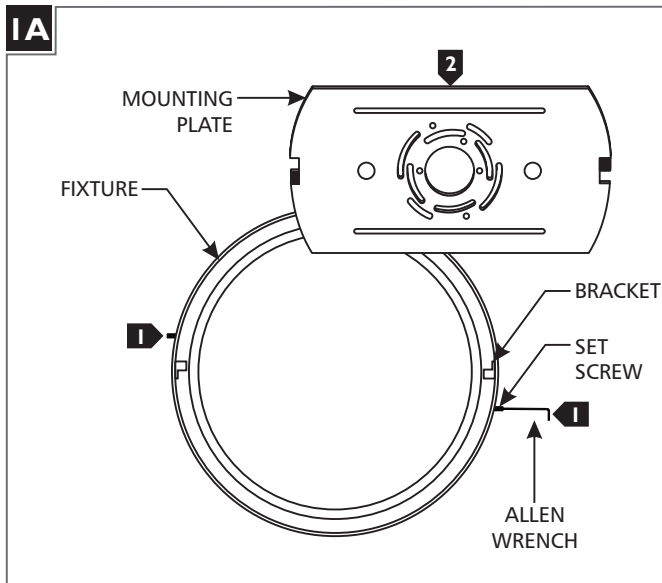


**CAUTION - RISK OF FIRE**

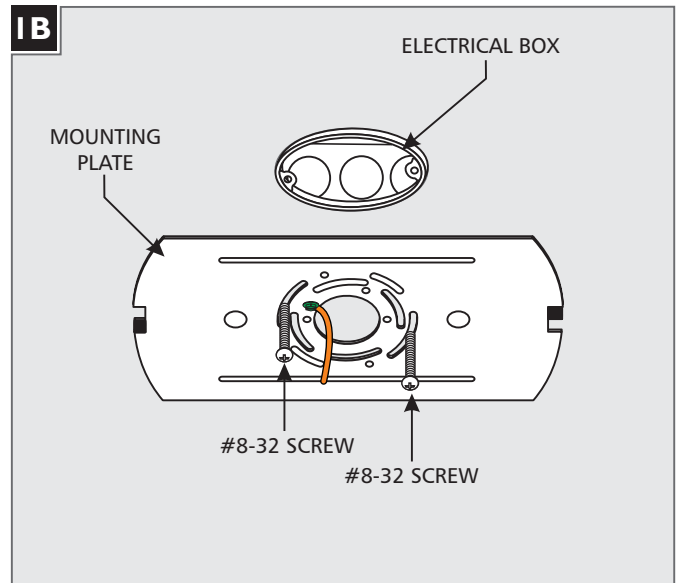
This product must be installed in accordance with the applicable installation code by a person familiar with the construction and operation of the product and the hazards involved.

Use minimum 90°C supply conductors.

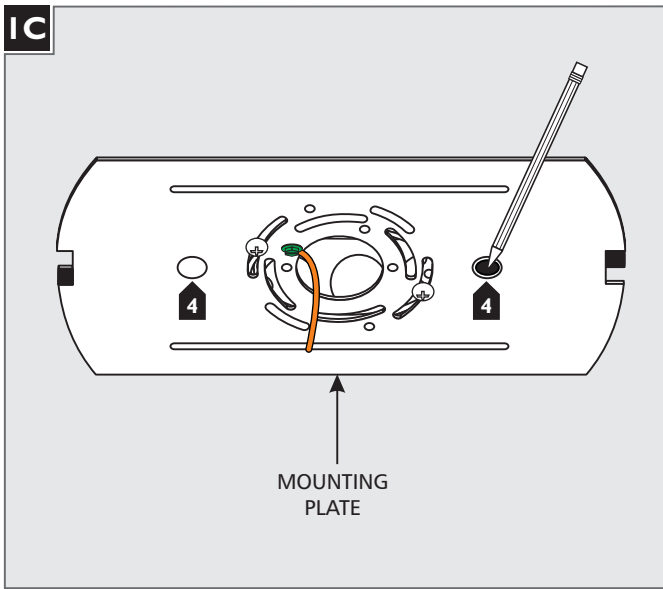
## Install the Mounting Plate



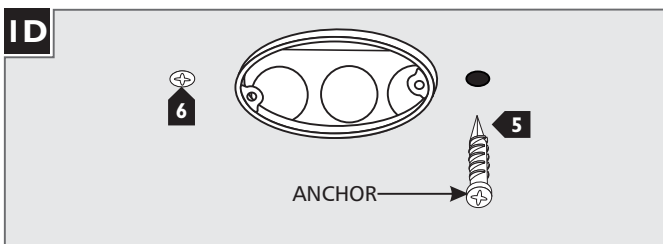
- 1** Loosen (do not remove) the two set screws on the fixture using the provided Allen wrench.
- 2** Separate and remove the mounting plate from the back of the fixture by rotating it counter clockwise out of the brackets.



- 3** For Tenur 10 Only: Secure the mounting plate to the electrical box with the two #8-32 screws. Skip to step 1F.
- For Tenur 12 Only: Temporarily install the mounting plate to the electrical box with the two #8-32 screws.



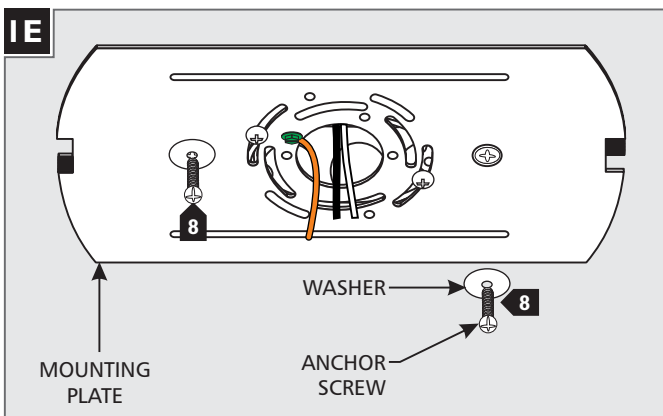
**4** Mark the two anchor locations and uninstall the mounting plate from the electrical box.



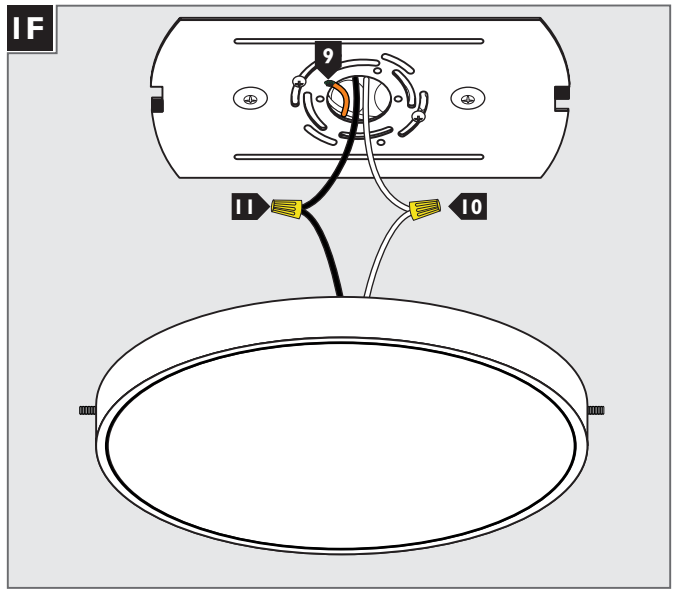
**5** At the marked location, push the anchor in up to the threads.

**6** Screw the anchor the rest of the way in with a screwdriver.

**7** Reinstall the mounting plate to the electrical box.



**8** Secure the mounting plate to the anchors with the washers and anchor screws.



**9** Connect the fixture to a suitable ground in accordance with local electrical codes.

**10** Connect the white driver wire to the neutral power line wire with a wire nut.

**11** Connect the black driver wire to the hot power line wire with a wire nut.

**12** Properly places all wires and wire nut connections into the electrical box and reinstall the fixture to the mounting plate (reversal of step 1A).

**SAVE THESE INSTRUCTIONS!**



7400 Linder Ave, Skokie, IL 60077  
847.410.4400

[www.techlighting.com](http://www.techlighting.com)

© 2018 Tech Lighting, L.L.C. All rights reserved. The "Tech Lighting" graphic is a registered trademark of Tech Lighting, L.L.C. Tech Lighting reserves the right to change specifications for product improvements without notification.  
A Generation Brands Company