

Togan and Togan Grande Pendants

700TDTOG

1.0



PENDANT

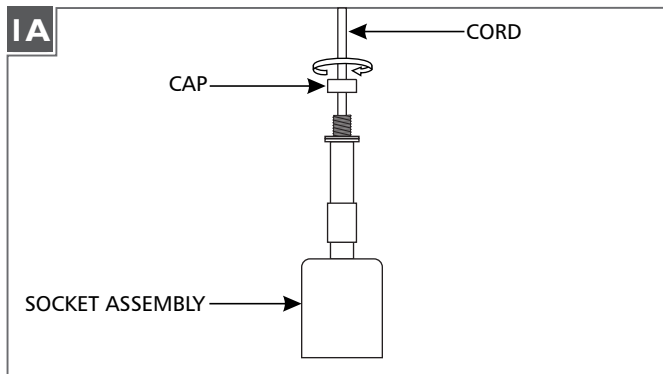
GENERAL PRODUCT INFORMATION:



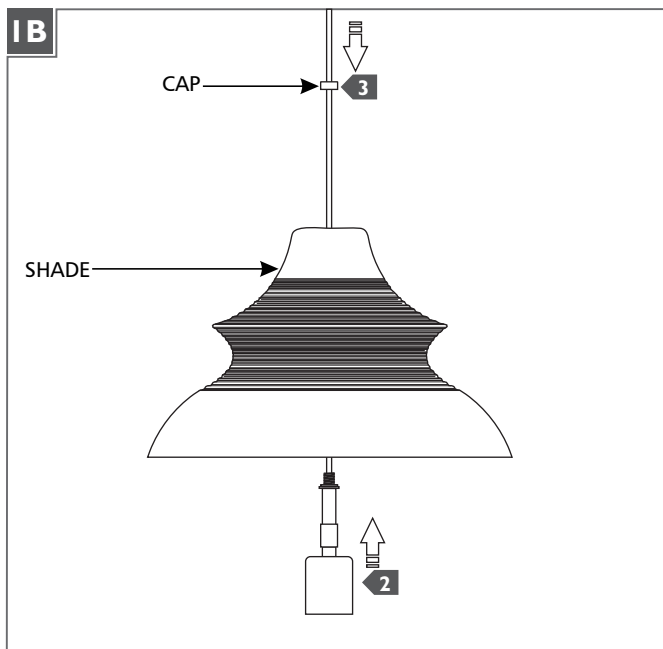
This product is suitable for damp locations.



Assemble the Pendant

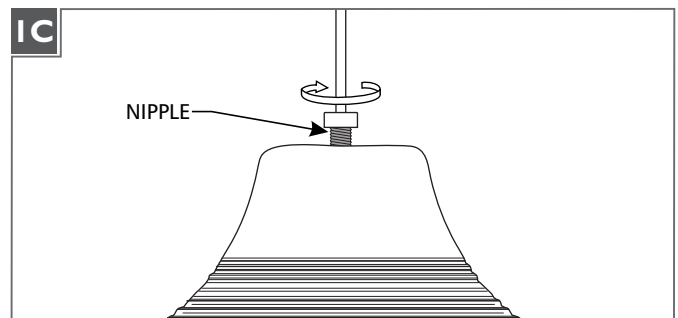


1 Unscrew and remove the fixture cap from the socket assembly and cord.

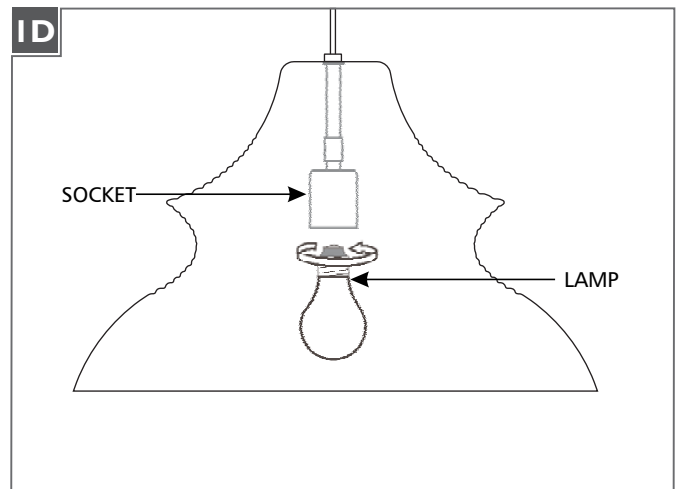


2 Ensure that the washers are in place and feed the fixture cord through the shade.

3 Reinstall the cap onto the cord.



1 Insert the socket assembly nipple through the top of the shade and secure it in place with the cap.



CAUTION: To reduce the risk of a burn or electric shock during re-lamping, disconnect the power to the fixture.

Refer to fixture marking for lamp information.

1 Screw the lamp into the socket.

SAVE THESE INSTRUCTIONS!



TECH LIGHTING®

7400 Linder Ave, Skokie, IL 60077

847.410.4400

www.techlighting.com

© 2018 Tech Lighting, L.L.C. All rights reserved. The "Tech Lighting" graphic is a registered trademark of Tech Lighting, L.L.C. Tech Lighting reserves the right to change specifications for product improvements without notification.

A Generation Brands Company