

# Swag Hook

700TDSWG\_

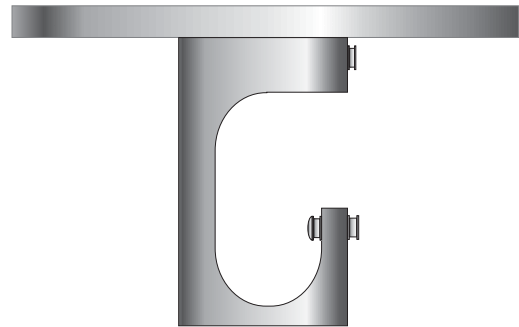
1.7

## GENERATION BRANDS

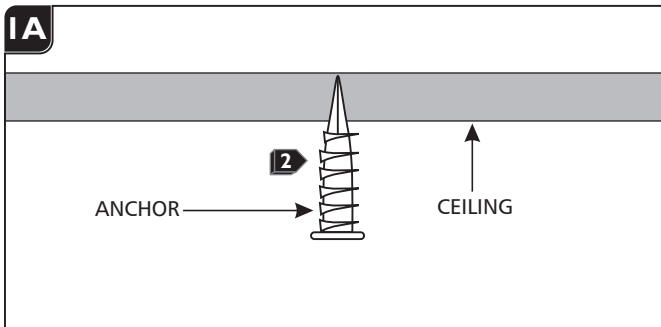
### GENERAL PRODUCT INFORMATION:



This product must be used with Pendant fixtures only.

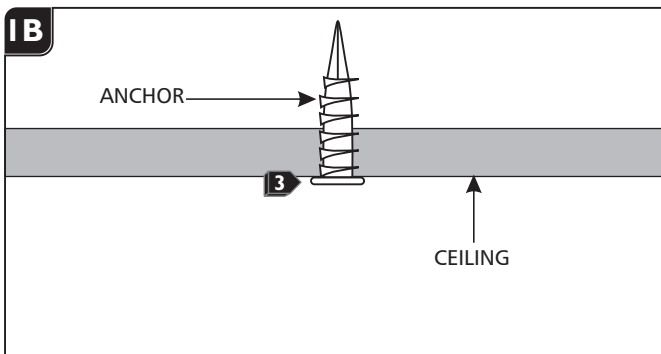


### Mount the Swag Hook

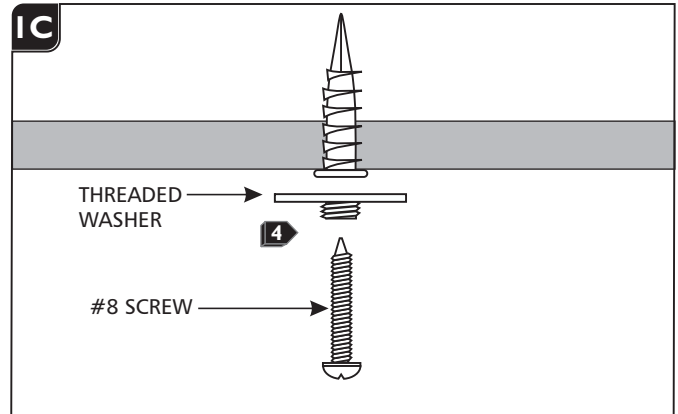


**1** Mark a point on the ceiling near the pendant fixture where the swag hook is to be mounted.

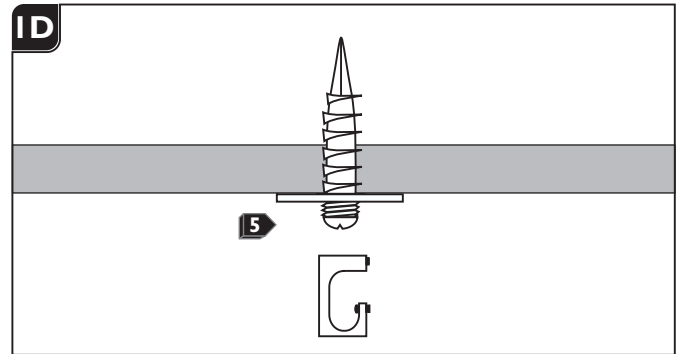
**2** Tap the anchor at the marked point into the ceiling up to the threaded portion with a hammer.



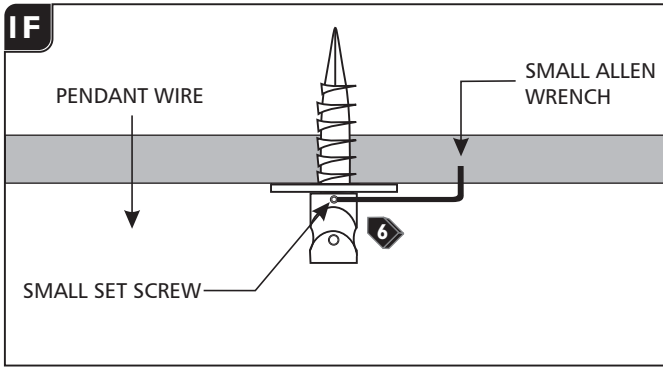
**3** Screw the anchor in the rest of the way with a Phillips screwdriver.



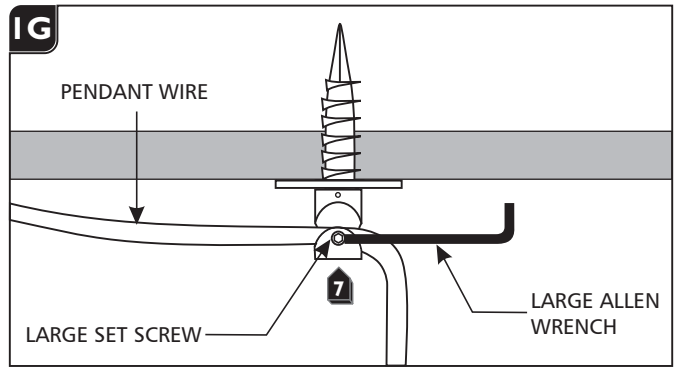
**4** Mount the threaded washer to the anchor with the #8 screw.



**5** Screw the swag hook onto the threaded washer.



**6** Secure the swag hook to the threaded washer by tightening the small set screw.



**7** Hook the fixture pendant wire into the swag hook and secure it in place by tightening the large set screw.

**SAVE THESE INSTRUCTIONS!**

**GENERATION BRANDS**

7400 Linder Ave, Skokie, IL 60077

800.323.3226 - 847.626.6300

[www.generation-brands.com](http://www.generation-brands.com)

© 2012 Generation Brands. All rights reserved. The "Generation Brands" graphic is a registered trademark of Generation Brands. Generation Brands reserves the right to change specifications for product improvements without notification.

A Generation Brands Company