

Pendant Fixtures

GENERATION BRANDS

PENDANTS

GENERAL PRODUCT INFORMATION:



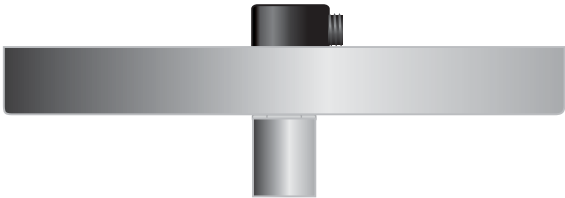
This product is suitable for indoor dry locations only.

These fixtures are intended to be installed utilizing NEC compliant junction boxes.

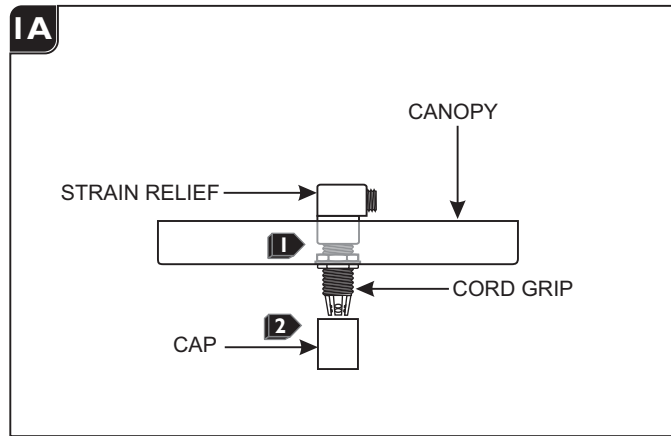
This product can be dimmed with a standard incandescent dimmer.

CAUTION - RISK OF FIRE
 This product must be installed in accordance with the applicable installation code by a person familiar with the construction and operation of the product and the hazards involved.
Use minimum 90°C supply conductors.

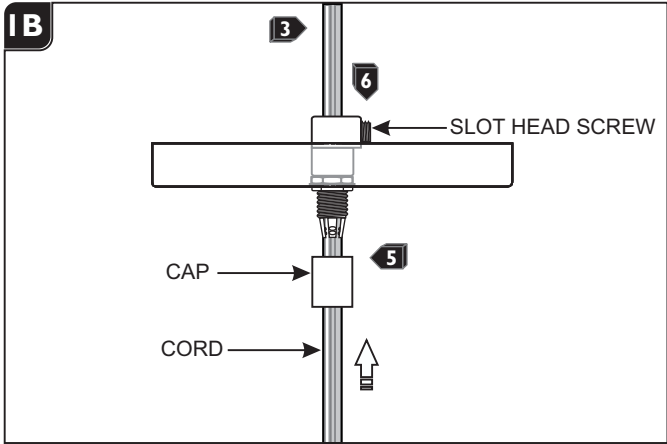
NOTE: If the fixture being installed has a cloth cord, start with **SECTION 2** of this installation instruction.



Shorten the Pendant

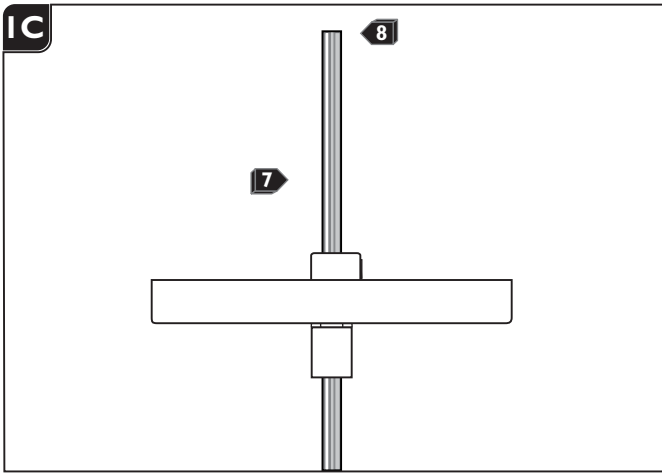


- 1** From back of the canopy tighten the strain relief to the cord grip.
- 2** From front of the canopy remove the cap from cord grip.

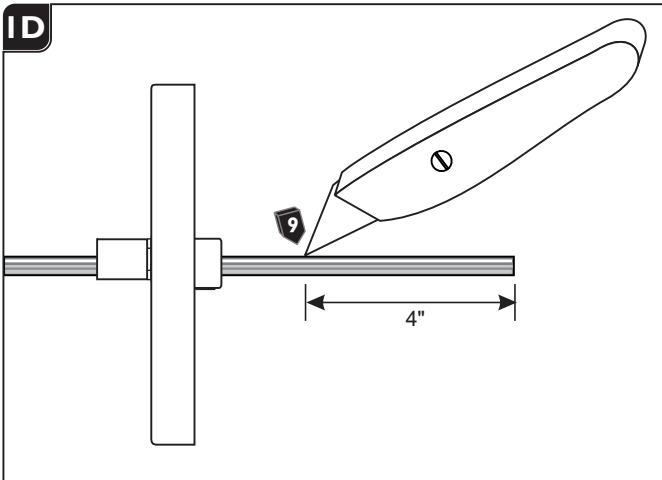


NOTE: Refer to the instructions provided with the pendant fixture to install the fixture shade (if needed) before proceeding with these steps.

- 3** Feed end of the pendant cord through the cap, cord grip, and strain relief into the canopy.
- 4** Adjust the fixture height (from bottom of the fixture shade to top of the canopy) by moving the cord up or down.
- 5** When desired height is achieved, tighten the cap.
- 6** Tighten the strain relief slot head screw.



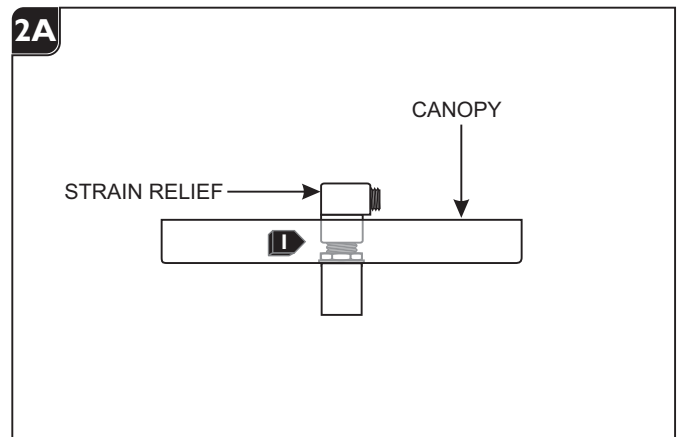
- 7 For power connection, leave at least 6" of the cord exposed in the back of the canopy.
- 8 Cut off the excess cord with a sharp cutter.



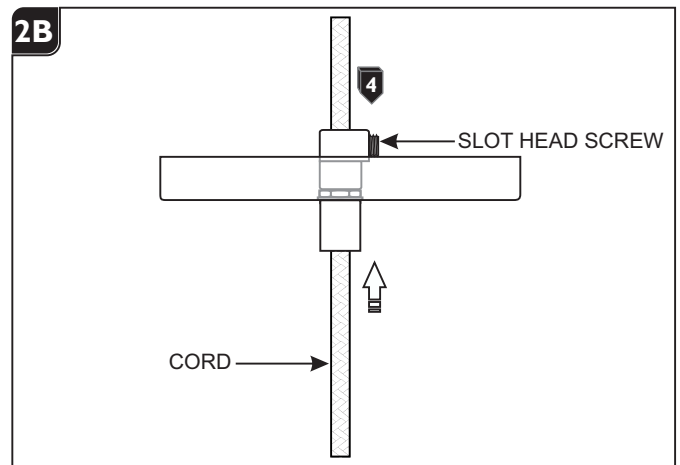
- 9 From the end of the cord, strip the outer insulation 4" using a sharp knife and needlenose pliers. ***Make sure not to cut inner wires.***
- 10 Strip 1/4" of insulation from the inner insulated wires. (three inner insulated wires for standard SVT cord). The bare inner wire is the ground wire (green insulated wire in SVT cord).

SKIP TO SECTION 3.

Shorten the Pendant (cloth covered cord)



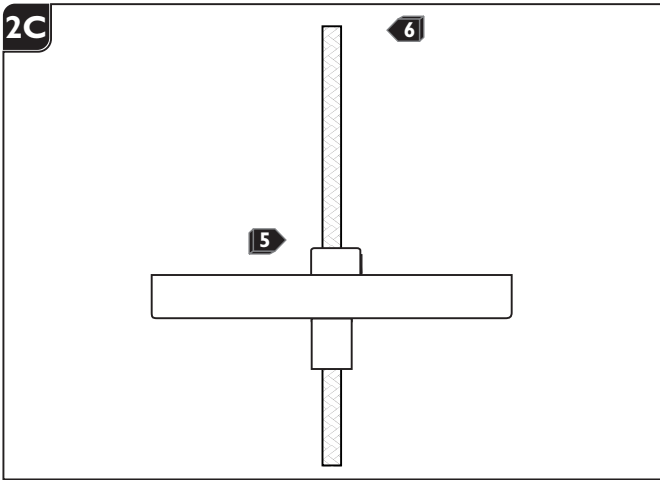
- 1 From back of the canopy tighten the strain relief to the cord grip.



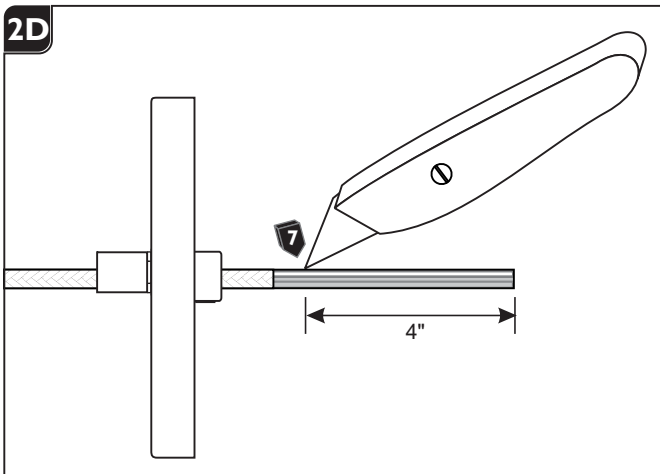
NOTE: Refer to the instructions provided with the pendant fixture to install the fixture shade (if needed) before proceeding with these steps.

- 2 Feed end of the pendant cord through the strain relief into the canopy.
- 3 Adjust the fixture height (from bottom of the fixture shade to top of the canopy) by moving the cord up or down.
- 4 When desired height is achieved, tighten the strain relief slot head screw.

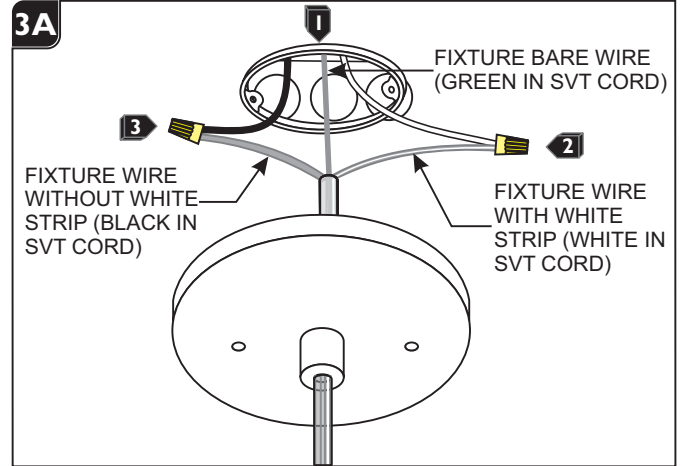
Install the Fixture



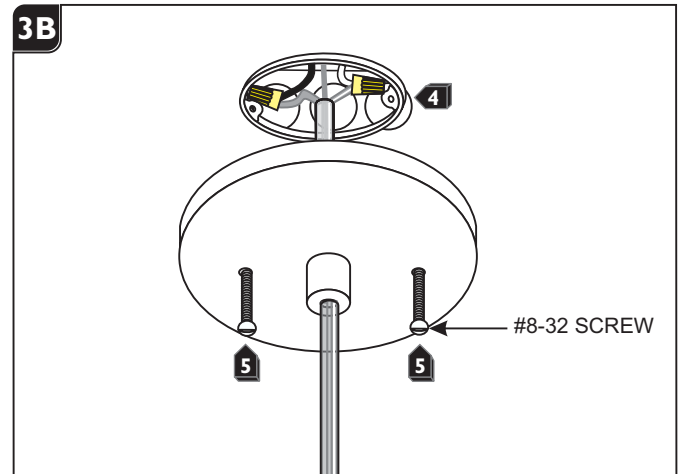
- 5** For power connection, leave at least 6" of the cord exposed in the back of the canopy.
- 6** Cut off the excess cord with a sharp cutter.



- 7** From the end of the cord, cut away the cloth and strip the outer insulation 4" using a sharp knife and needlenose pliers. ***Make sure not to cut inner wires.***
- 8** Strip 1/4" of insulation from the inner insulated wires. (three inner insulated wires for standard SVT cord). The bare inner wire is the ground wire (green insulated wire in SVT cord).



- 1** Connect the fixture bare uninsulated wire (green in SVT cord) to the ground in accordance with local electrical codes.
- 2** Connect the fixture wire with the white strip (white in SVT cord) to the 120 volt neutral power line wire with a wire nut.
- 3** Connect the last fixture wire (black in SVT cord) to the 120 volt hot power line wire with a wire nut.



- 4** Place all wires properly into the electrical box.
- 5** Mount the canopy to the electrical box with two #8-32 screws provided.

SAVE THESE INSTRUCTIONS!

GENERATION BRANDS

7400 Linder Ave, Skokie, IL 60077

800.323.3226 - 847.626.6300

www.generation-brands.com

© 2016 Generation Brands. All rights reserved. The "Generation Brands" graphic is a registered trademark of Generation Brands. Generation Brands reserves the right to change specifications for product improvements without notification.

A Generation Brands Company