

Mati Pendants

700TDMATI_ 1.0



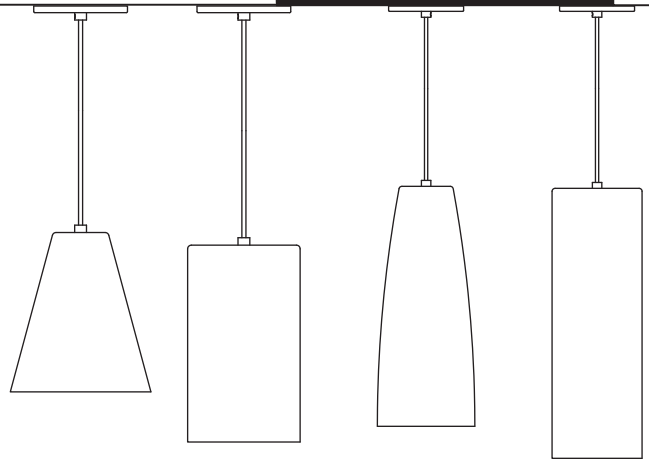
PENDANTS

GENERAL PRODUCT INFORMATION:



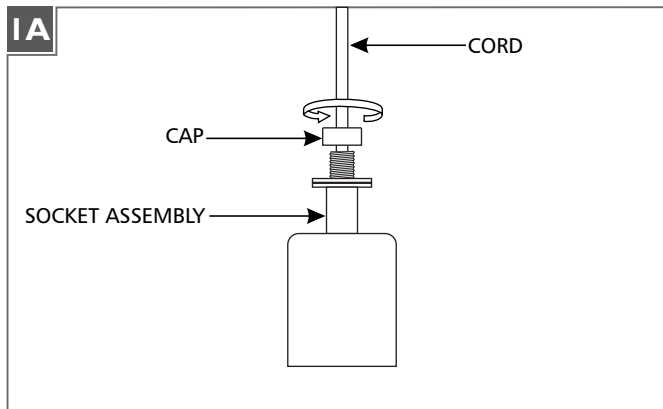
This product is suitable for damp locations.

Incandescent version may be dimmed with a standard incandescent dimmer. LED version may be dimmed with a LED dimmer. Consult lamp manufacturer for additional information.

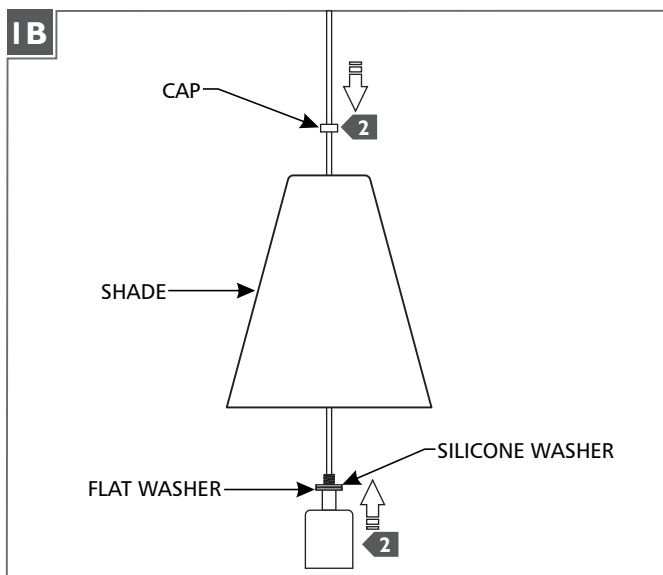


NOTE: This instruction covers all Mati Pendants.

Assemble the Pendant

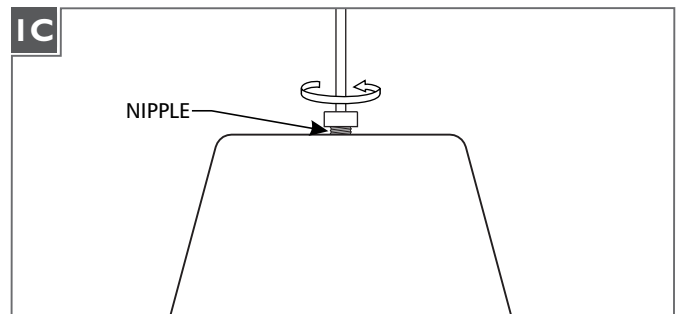


1 Unscrew fixture cap and remove the cap from the socket assembly and cord.

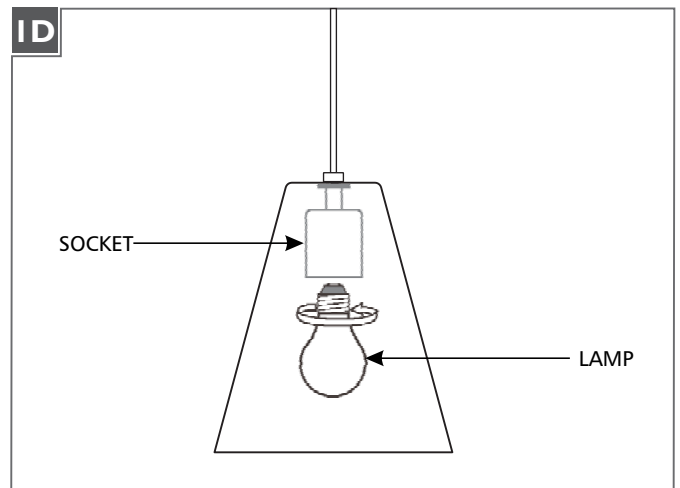


2 Ensure that the silicone washer and flat washer remain in place and feed the fixture cord through the shade.

3 Reinstall the cap onto the cord.



4 Insert the socket assembly nipple through the top of the shade and secure it in place with the cap.



CAUTION: To reduce the risk of a burn or electric shock during re-lamping, disconnect the power to the fixture.

Refer to fixture marking for lamp information.

5 Screw the lamp into the socket.

SAVE THESE INSTRUCTIONS!



7400 Linder Ave, Skokie, IL 60077

847.410.4400

www.techlighting.com

© 2018 Tech Lighting, L.L.C. All rights reserved. The "Tech Lighting" graphic is a registered trademark of Tech Lighting, L.L.C. Tech Lighting reserves the right to change specifications for product improvements without notification.

A Generation Brands Company