

Larkspur Compact Fluorescent Sconce

700TDDMNSWS-CF 1.6

2 thousand
degrees™

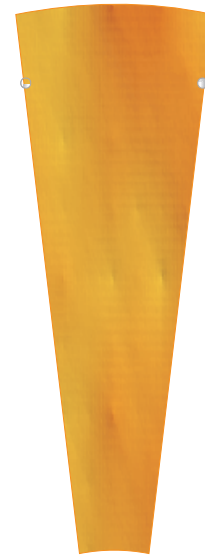
SCONCES

GENERAL PRODUCT INFORMATION:



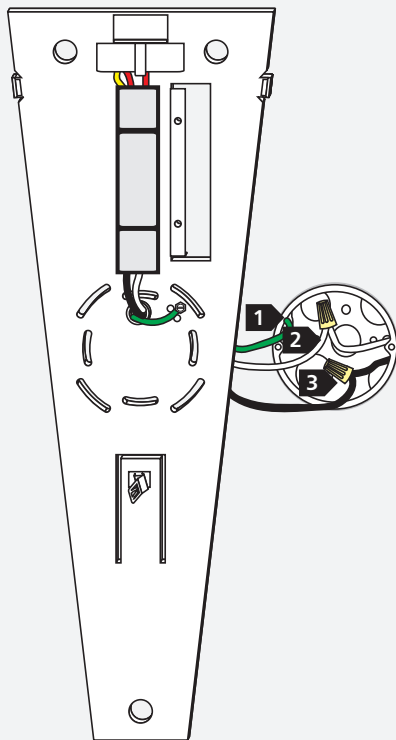
This product can mount to either a 4" square electrical box with round plaster ring or an octagon electrical box.

This product is suitable for damp locations.



Installing the Sconce

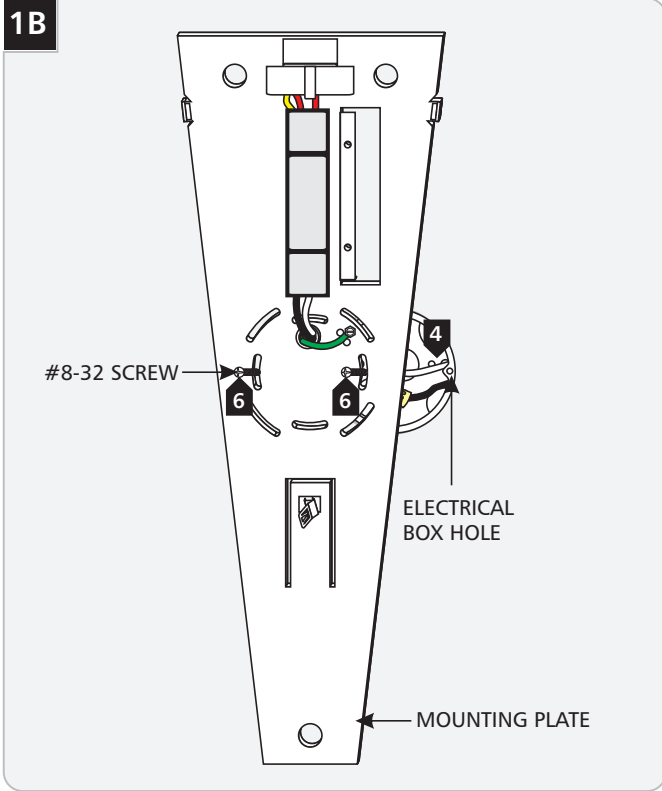
1A



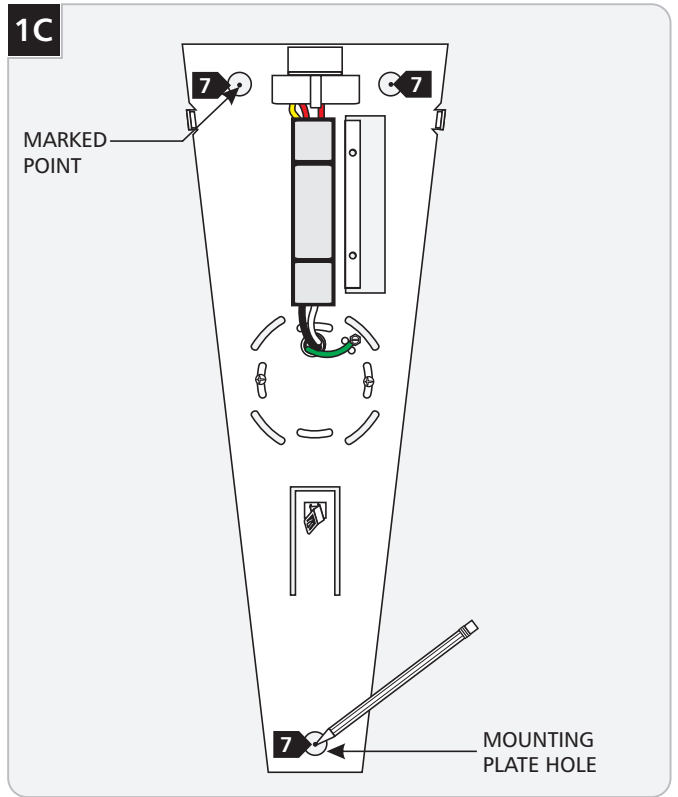
CAUTION—RISK OF FIRE

This product requires installation by a qualified electrician. Before installing be sure to read all instructions and **TURN THE POWER TO THE ELECTRICAL BOX OFF.**

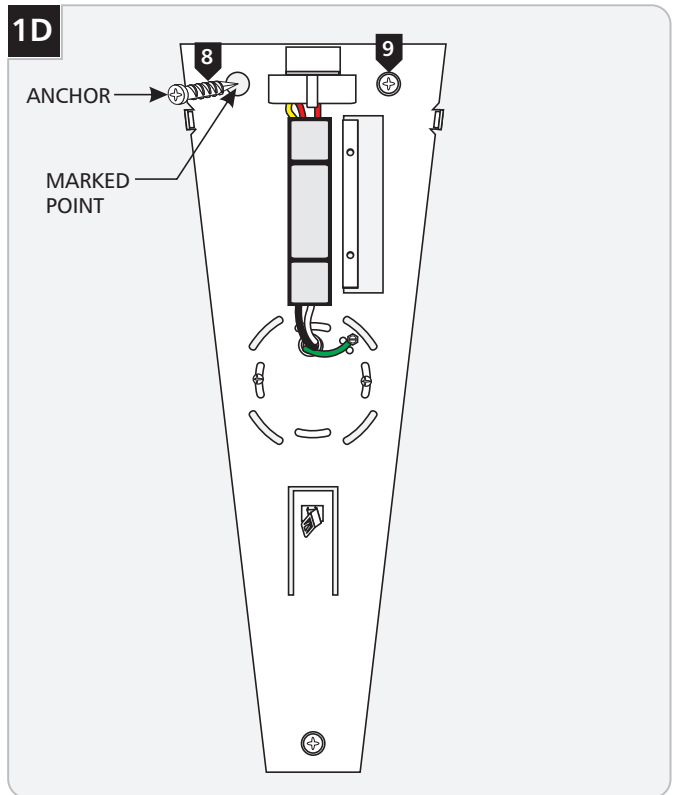
- 1 Ground the fixture to the electrical box in accordance with local electrical codes.
- 2 Connect the white fixture wire to the neutral 120 volt power line wire with a wire nut.
- 3 Connect the black fixture wire to the hot 120 volt power line wire with a wire nut.



- 4** Properly place all wires and wire nut connections into the electrical box.
- 5** Line up two mounting plate slots with the two electrical box holes.
- 6** Level the mounting plate vertically and secure it to the electrical box with the two #8-32 screws.

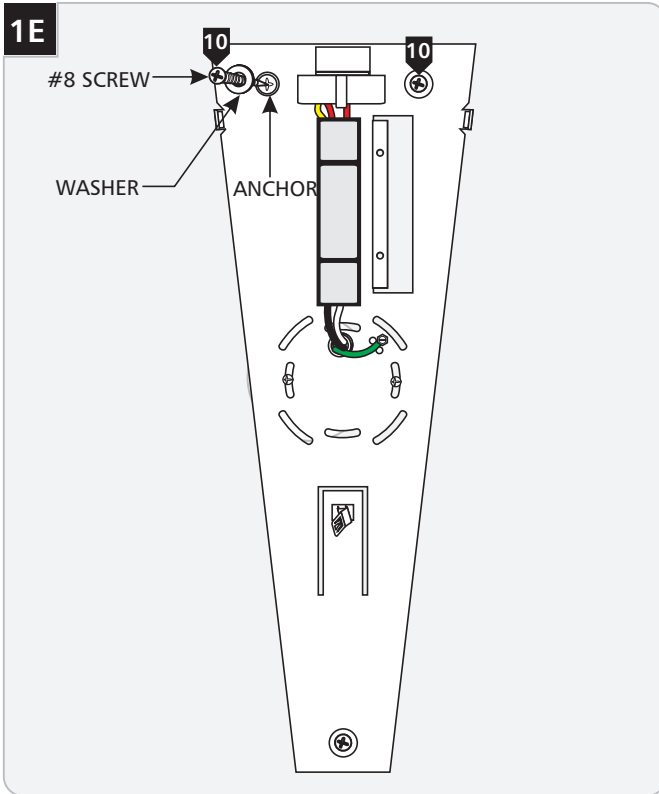


- 7** Mark three points onto the wall through the mounting plate holes.

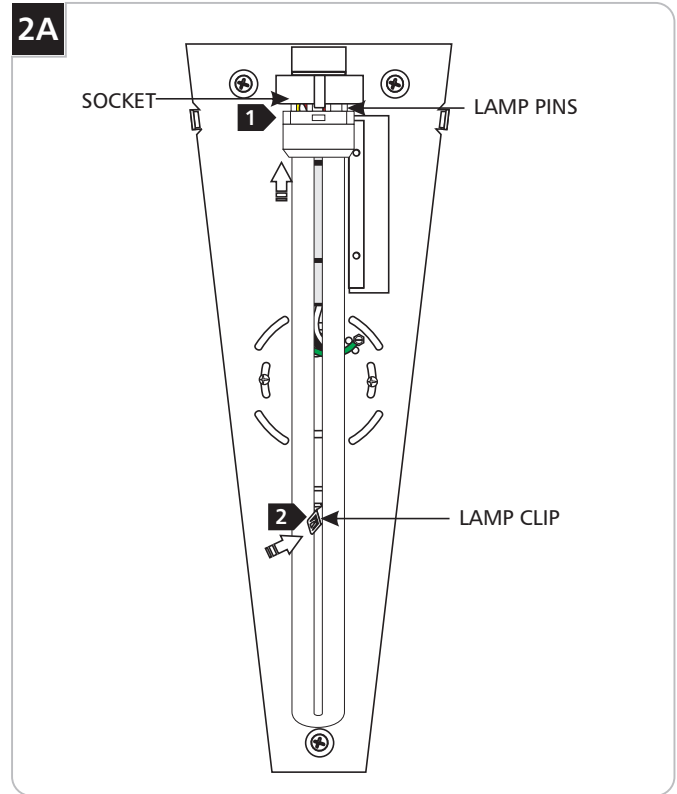


- 8** With a hammer tap the three anchors at the marked points up to the threaded portion.
- 9** Screw the anchors in the rest of the way with a Phillips screwdriver.

Install the Lamp & Glass Shade



- 10** Secure the mounting plate to the anchors with the #8 screws and washers.

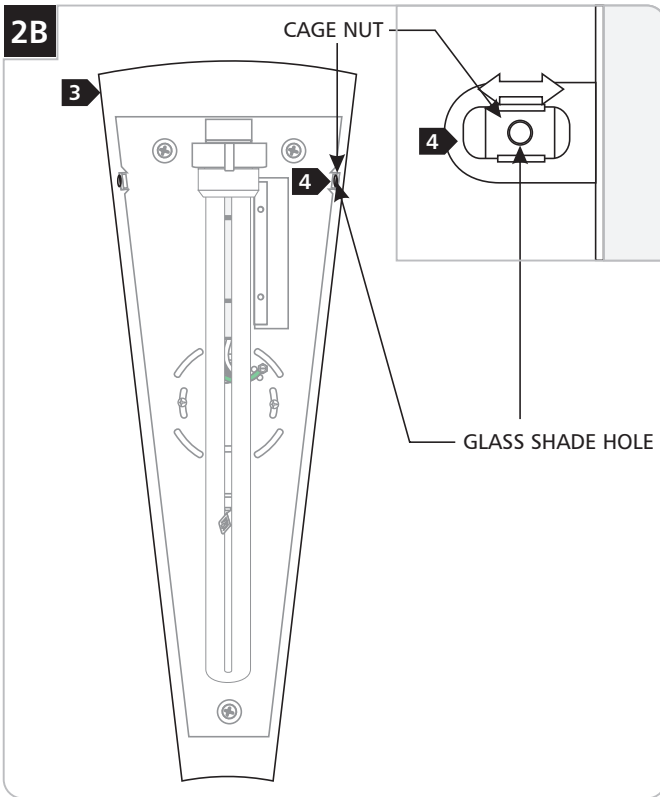


CAUTION: To reduce the risk of a burn or electric shock during relamping, disconnect the power to the fixture by turning the wall switch off.

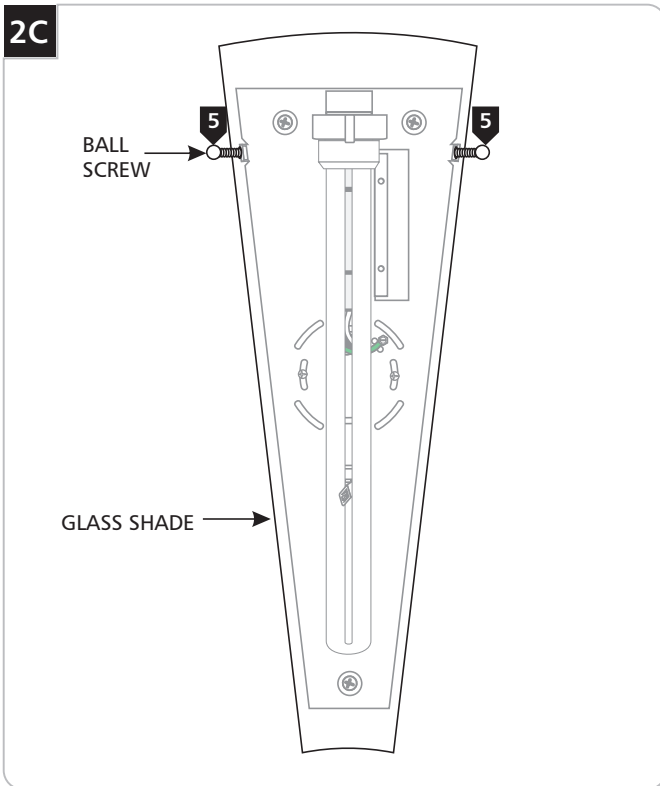
Use **MAX** 36 Watt 2G11 Base T5 Compact Fluorescent Lamp.



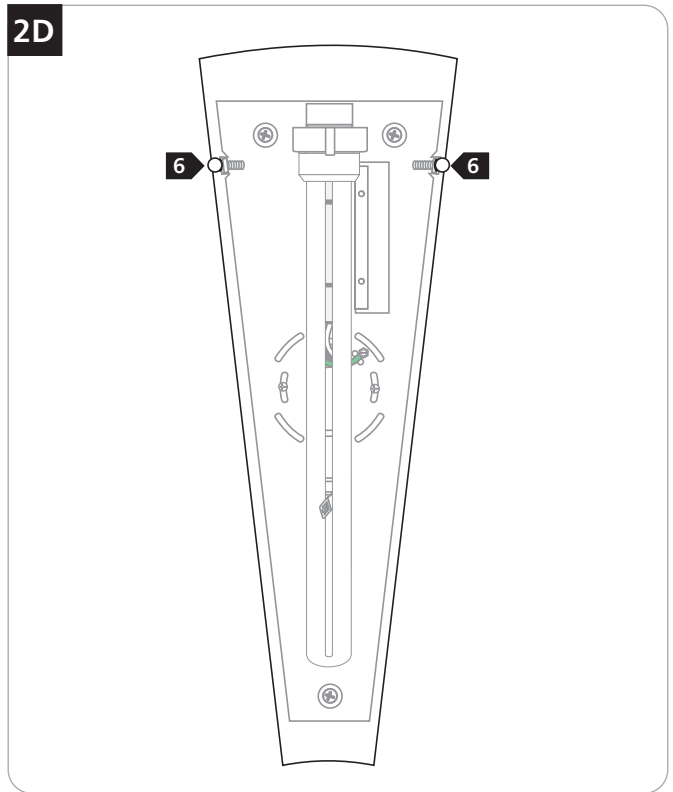
- 1** Align and push the lamp pins completely into the socket pins.
- 2** Snap the lamp onto the lamp clip.



- 3** Place the glass shade over the mounting plate against the wall.
- 4** Slide the cage nuts aligning their holes with the glass shade holes.



- 5** Slightly screw (**Do Not Tighten**) the ball screws through the glass shade holes into the cage nut holes so that the glass shade is held in place.



- 6** Firmly push the glass against the wall and finish tightening the ball screws.

SAVE THESE INSTRUCTIONS!



7400 Linder Ave, Skokie, IL 60077
847.410.4400

www.2thousanddegrees.com

© 2008 Tech Lighting, L.L.C. All rights reserved. The "2thousand degrees" graphic is a registered trademark of 2thousand degrees. 2thousand degrees reserves the right to change specifications for product improvements without notification.

A Generation Brands Company