

Hudson Compact Fluorescent Pendant

700T_HUDP_-CF

1.5



GENERAL PRODUCT INFORMATION:

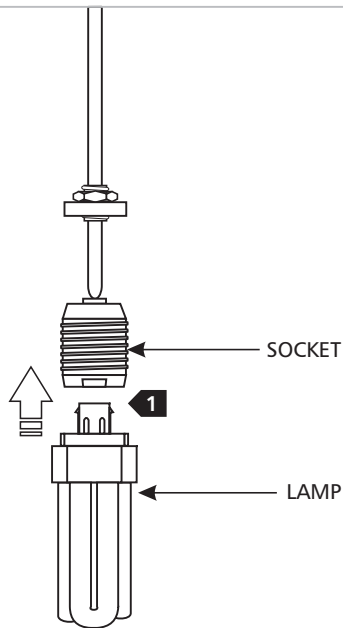


This product is suitable for damp locations.



Installing the Lamp

1A



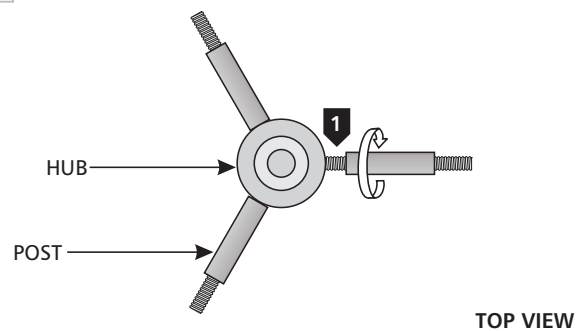
Use **MAX 32** Watt GX24Q-3 Base Triple Tube Compact Fluorescent Lamp.



1 Push the lamp pins completely into the socket holes.

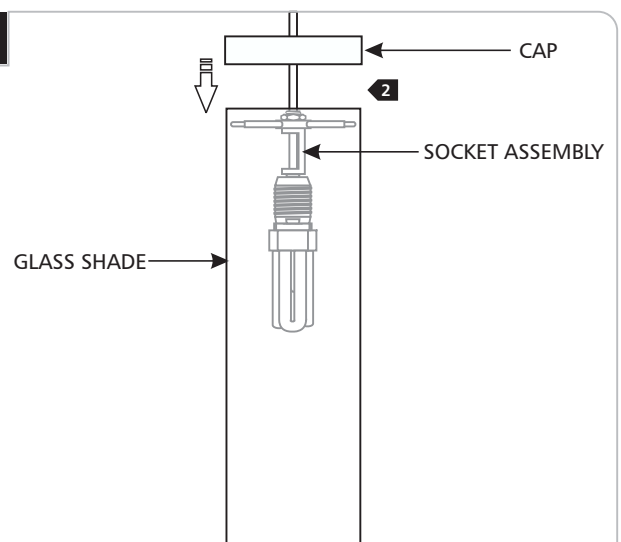
Assemble the fixture

2A

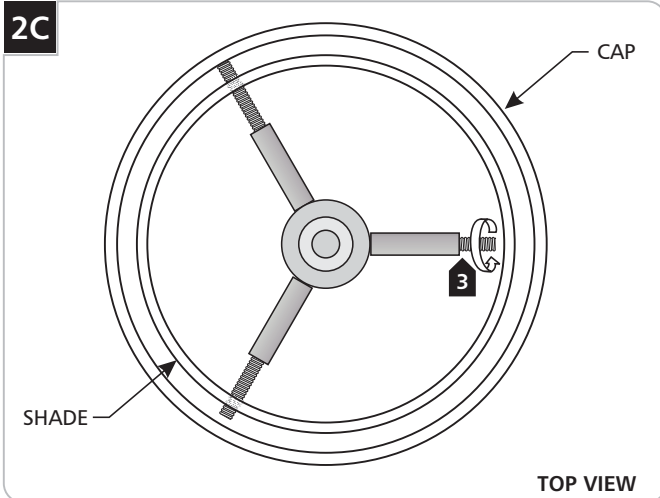


1 Screw the three posts completely into the hub.

2B

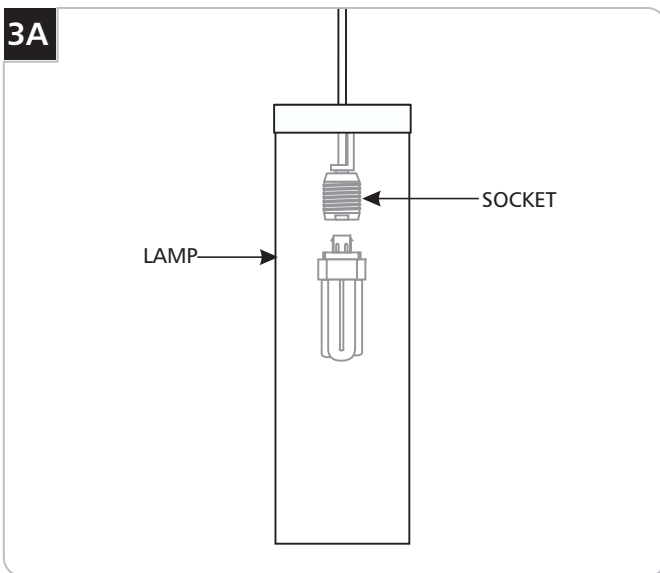


2 Place the socket assembly into the glass shade then place the cap on top of the glass shade.




- 3 ➤ Align the posts with the holes in the shade.
- 4 ➤ Unscrew the threaded studs until they are completely through the shade.

Replace the Lamp



CAUTION: To reduce the risk of a burn or electric shock during relamping, disconnect the power to the fixture.

Use **MAX 32 Watt GX24Q-3 Base Triple Tube Compact Fluorescent Lamp.** 

- 1 ➤ While holding the shade, pull the old lamp out of the socket.
- 2 ➤ Push the new lamp's pins completely into the socket holes.

SAVE THESE INSTRUCTIONS!



TECH LIGHTING®

7400 Linder Ave, Skokie, IL 60077
847.410.4400

www.techlighting.com

© 2015 Tech Lighting, L.L.C. All rights reserved. The "Tech Lighting" graphic is a registered trademark of Tech Lighting, L.L.C. Tech Lighting reserves the right to change specifications for product improvements without notification.

A Generation Brands Company