

Cleo Grande Canopy (Compact Fluorescent)

295TDCLGC_ 1.0

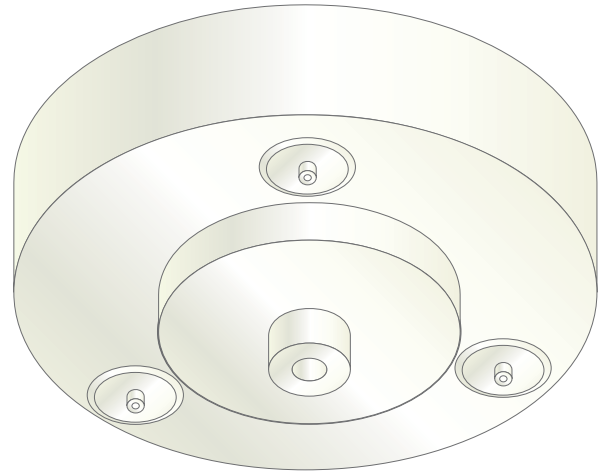


GENERAL PRODUCT INFORMATION:

This product is suitable for damp locations.



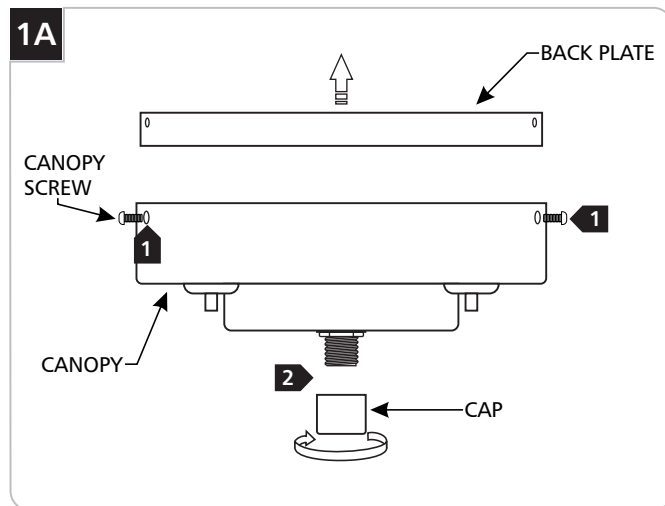
This product can mount to either a 4" square electrical box with round plaster ring or an octagon electrical box.



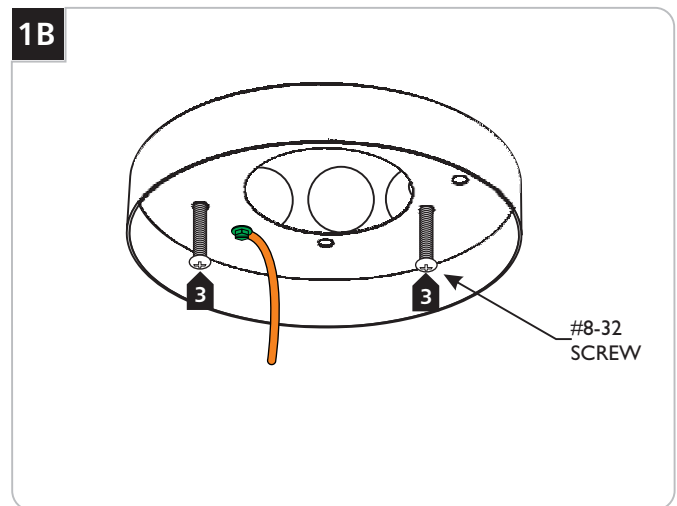
CAUTION — RISK OF FIRE
 This product requires installation by a qualified electrician. Before installing be sure to read all instructions and **TURN OFF POWER TO THE ELECTRICAL BOX.**

NOTE: Due to the weight and complexity of this fixture, assistance will be need for installation.

Preparing the Canopy



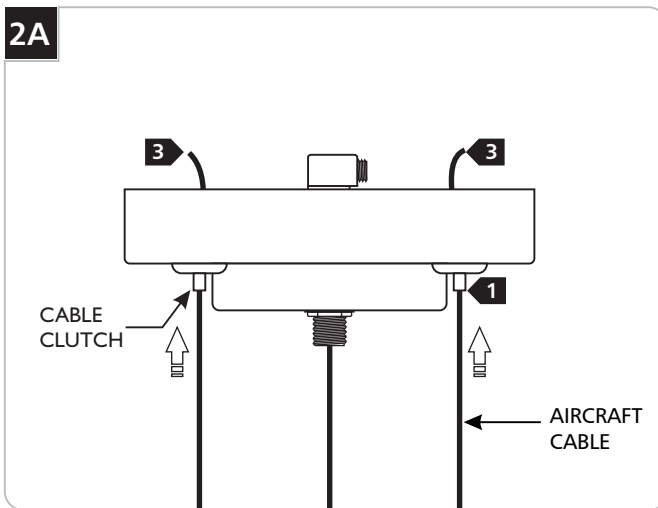
- 1** Unscrew and remove all three screws and separate the backplate from the canopy.
- 2** Unscrew and remove the cap.



- 3** Mount the backplate to the electrical box with the two provided #8-32 screws.

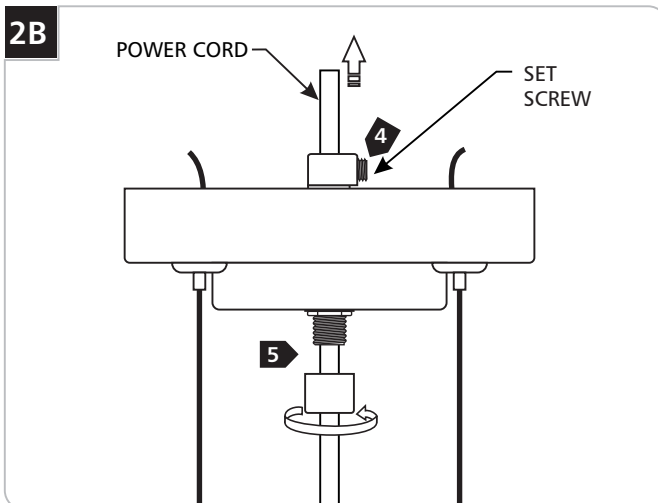
Install the Fixture

2A



- 1 Feed the aircraft cables through the cable clutch in the canopy.
- 2 Evenly pull the aircraft cable up through the canopy to raise the fixture to the desired length.
- 3 Cut off the excess aircraft cable leaving enough for fine leveling later.

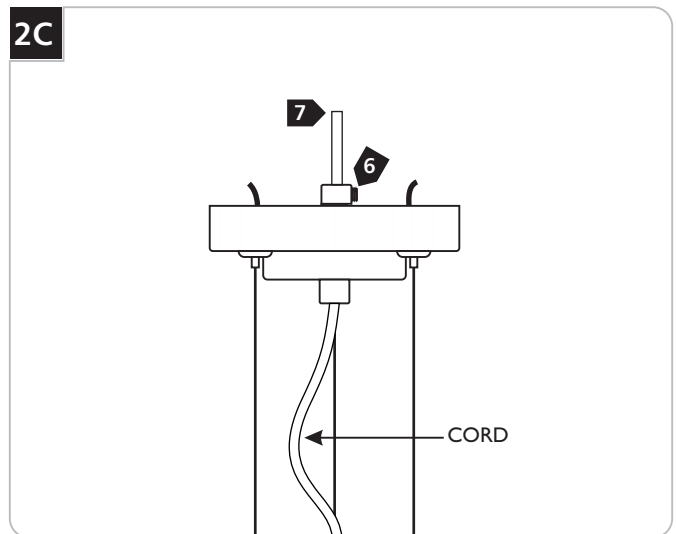
2B



Note: Taping down the frayed end of the cloth cover may assist in feeding the power cord through the strain relief.

- 4 If necessary loosen the set screw in the strain relief and feed the power cord from the fixture through the cap and into the canopy.
- 5 Re-screw the cap back on.

2C

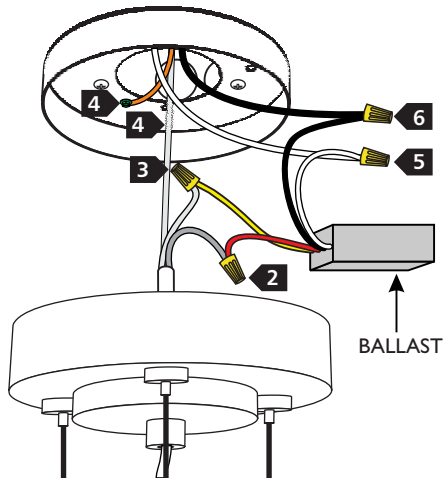


NOTE: The power cord does not support the fixture. For a casual "lazy cord" look, cut the power cord several inches longer than the drop height of the fixture.

- 6 Once the desired look is determined, tighten the set screw on the strain relief.
- 7 Leave 6" of the cord behind the canopy for power connections and cut the excess cord.

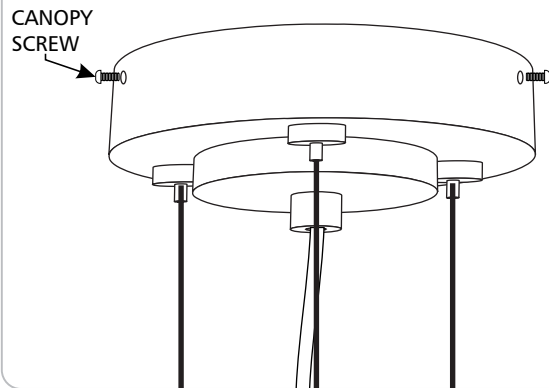
Install the Canopy

3A



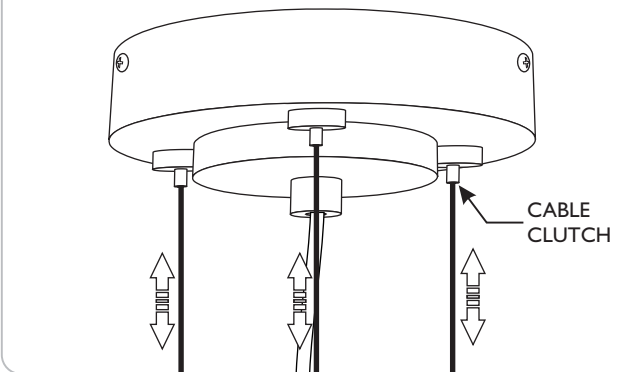
- 1 Strip the cable behind the canopy and also strip the ends of the inner wires.
- 2 Connect the red ballast wire to one of the insulated pendant wires.
- 3 Connect the yellow ballast wire to the other insulated pendant wire.
- 4 Connect the fixture and the crossbar ground wire to a suitable ground in accordance with local electrical codes.
- 5 Connect the white ballast/driver wire to the neutral power line wire.
- 6 Connect the black ballast/driver wire to the hot power line wire.

3B



- 7 Place all wires, wire nut connections, and the ballast properly into the electrical box.
- 8 Remount the canopy to the backplate by securing

3C



- 9 Adjust the aircraft cables until the fixture is level; feed the cable into the cable clutch to raise the fixture and push in on the cable clutch nipple to release the cable and lower the fixture.

SAVE THESE INSTRUCTIONS!



TECH LIGHTING®

7400 Linder Ave, Skokie, IL 60077

847.410.4400

www.techlighting.com

© 2012 Tech Lighting, L.L.C. All rights reserved. The "Tech Lighting" graphic is a registered trademark of Tech Lighting, L.L.C. Tech Lighting reserves the right to change specifications for product improvements without notification.

A Generation Brands Company