

Briolette Grande Pendant

700TDBRGLG_ 1.0



GENERAL PRODUCT INFORMATION:

These fixtures are intended to be installed utilizing NEC compliant junction boxes.

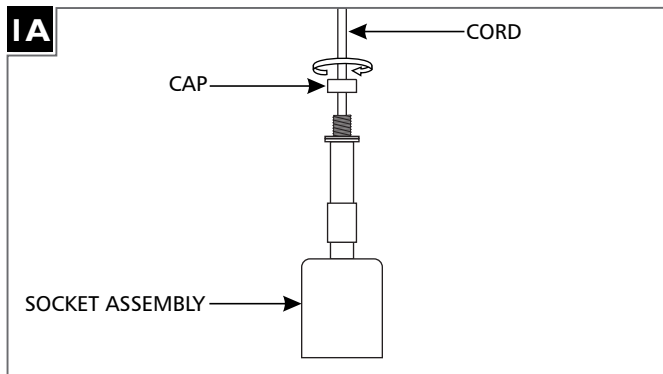
This product is suitable for damp locations.

Incandescent version may be dimmed with a standard incandescent dimmer. LED version may be dimmed with a LED dimmer. Consult lamp manufacturer for additional information.

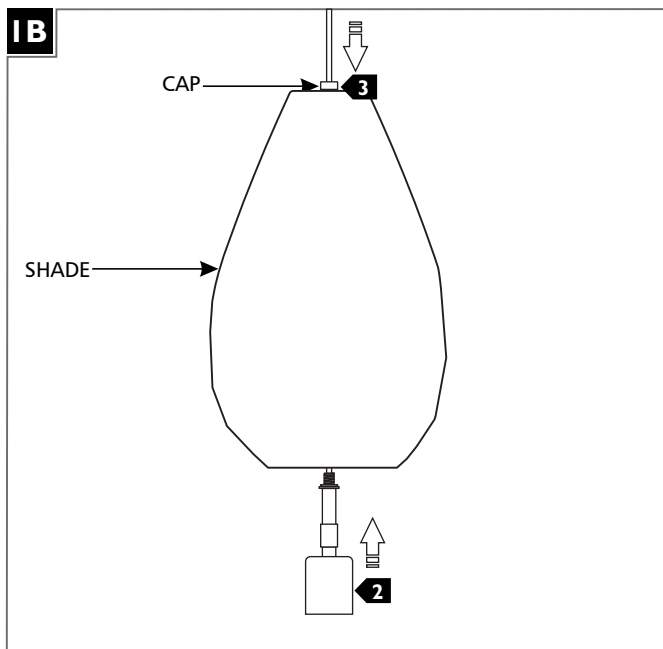
This instruction shows a typical installation.



Assemble the Pendant

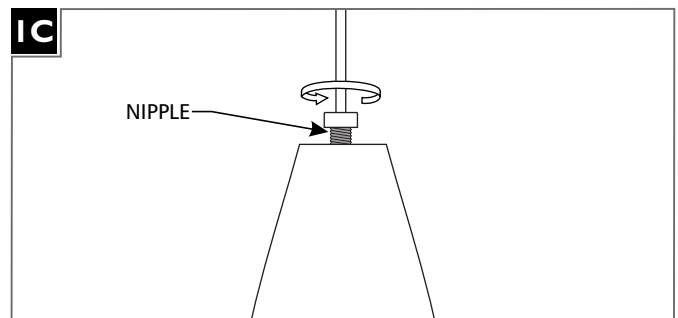


1 Unscrew and remove the fixture cap from the socket assembly and cord.

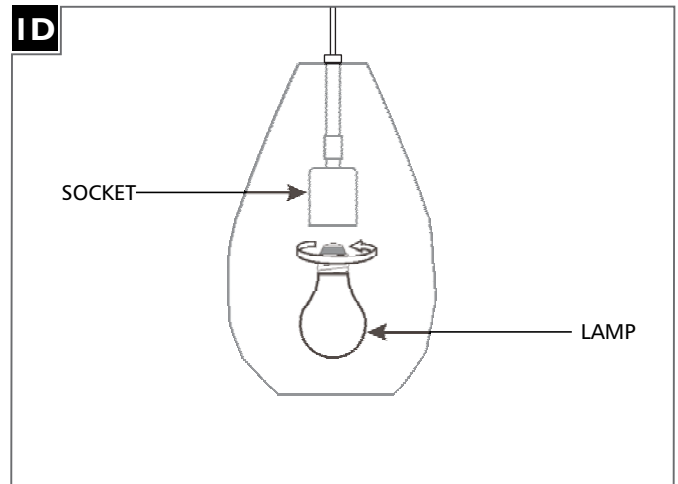


2 Ensure that the washers are in place and feed the fixture cord through the shade.

3 Reinstall the cap onto the cord.



4 Insert the socket assembly nipple through the top of the shade and secure it in place with the cap.



5 Screw the lamp into the socket. Refer to the label on the socket for Max Wattage Information.

CAUTION - RISK OF FIRE
 This product must be installed in accordance with the applicable installation code by a person familiar with the construction and operation of the product and the hazards involved.
 Use minimum 90°C supply conductors.

SAVE THESE INSTRUCTIONS!



7400 Linder Ave, Skokie, IL 60077
847.410.4400

www.techlighting.com

© 2018 Tech Lighting, L.L.C. All rights reserved. The "Tech Lighting" graphic is a registered trademark of Tech Lighting, L.L.C. Tech Lighting reserves the right to change specifications for product improvements without notification.

A Generation Brands Company