

Sphere Wall (LED)

700WSSPH

1.0



WALL COLLECTION

GENERAL PRODUCT INFORMATION:

These fixtures are intended to be installed utilizing NEC compliant junction boxes.



This product is suitable for damp locations.

This product may be dimmed using a low-voltage electronic dimmer or standard incandescent dimmer.

This instruction shows a typical installation.

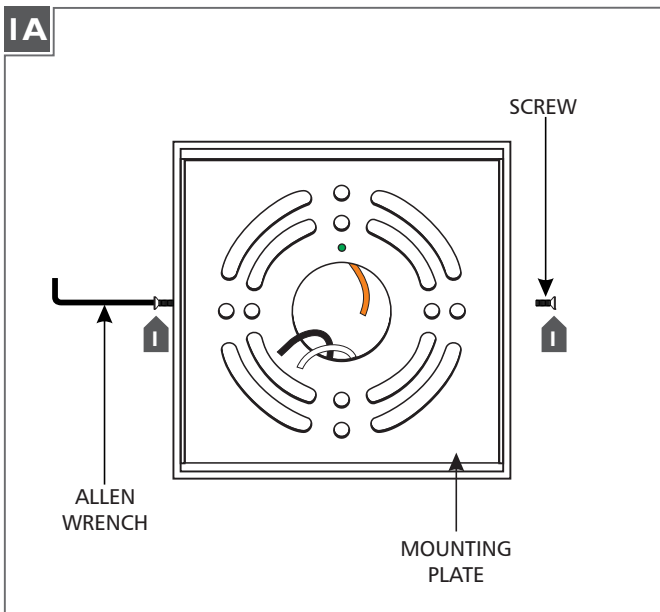


CAUTION - RISK OF FIRE

This product must be installed in accordance with the applicable installation code by a person familiar with the construction and operation of the product and the hazards involved.

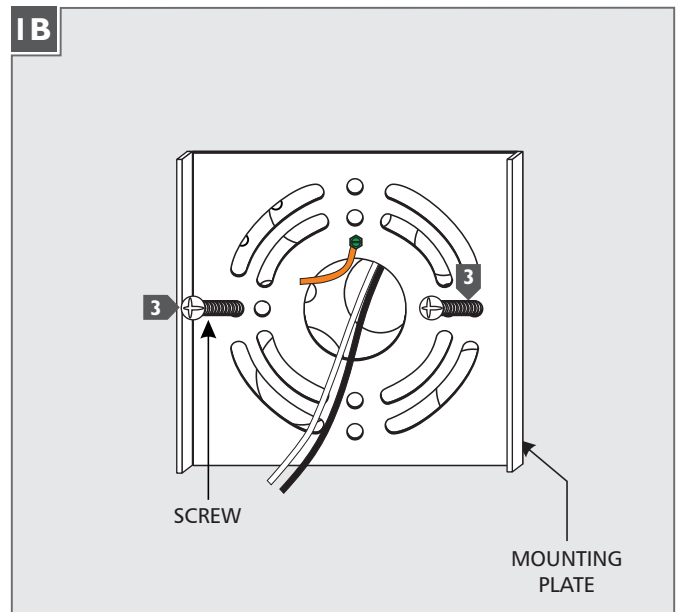
Use minimum 90°C supply conductors.

Install the Fixture

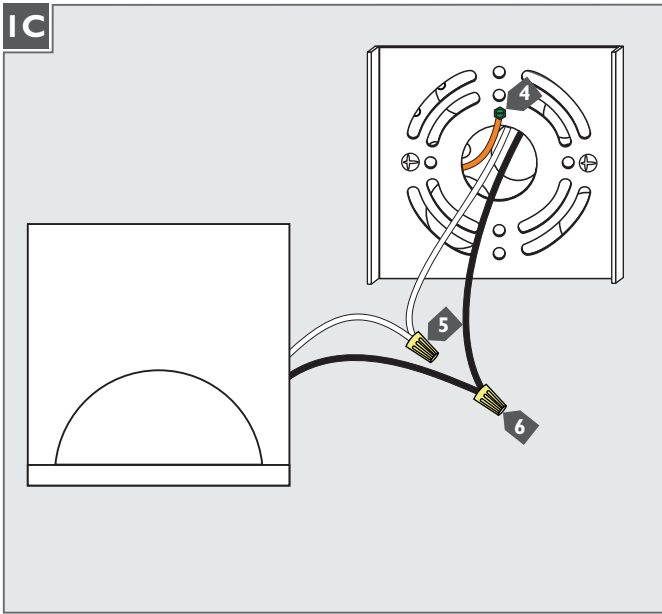


1 Remove the two fixture screws on the sides of the fixture using the provided Allen wrench.

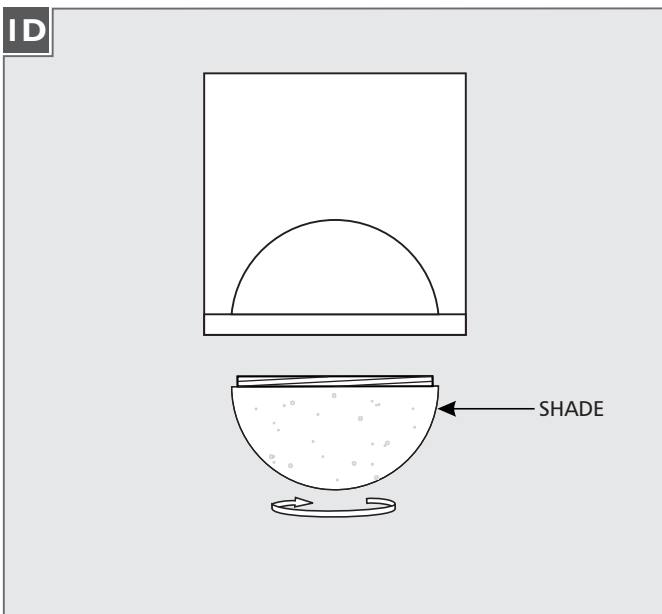
2 Remove the mounting plate from the fixture base.



3 Attach the mounting plate to the electrical box using the two #8-32 screws provided.



- 4** Connect the mounting plate ground wire to a suitable ground in accordance with local electrical codes.
- 5** Connect the white fixture wire to the neutral power line wire with a wire nut.
- 6** Connect the black fixture wire to the hot power line wire with a wire nut.
- 7** Properly place all wires and wire nut connections into the electrical box and reinstall the fixture base onto the mounting plate (reversal of step 1A).



- 9** Screw the shade securely into the fixture base.

SAVE THESE INSTRUCTIONS!



7400 Linder Ave, Skokie, IL 60077
847.410.4400

www.techlighting.com

© 2018 Tech Lighting, L.L.C. All rights reserved. The "Tech Lighting" graphic is a registered trademark of Tech Lighting, L.L.C. Tech Lighting reserves the right to change specifications for product improvements without notification.

A Generation Brands Company